

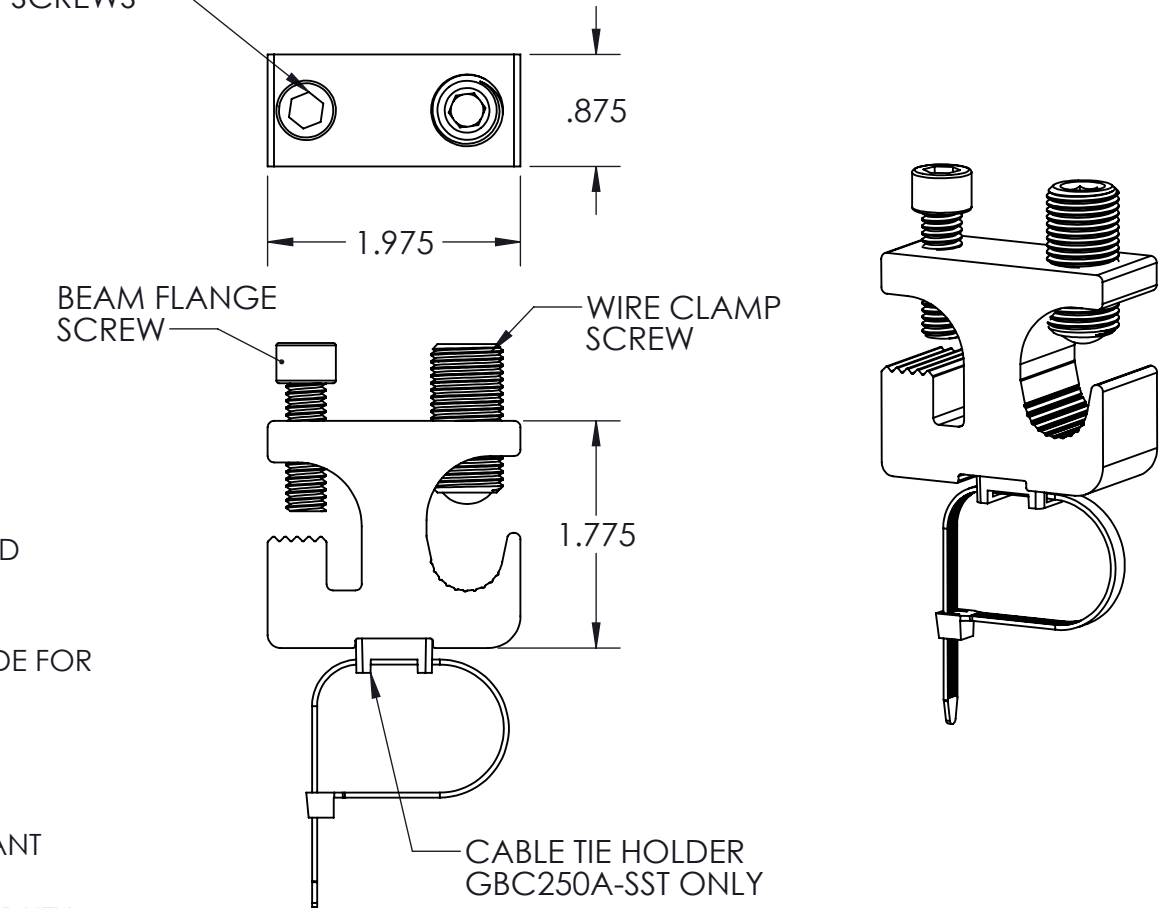
TORQUE GUIDE (INCH-POUNDS)		
WIRE SIZE	WIRE CLAMP TORQUE	FLANGE CLAMP TORQUE
6	135	150
4	150	150
2	150	150
1	165	150
1/0	175	150
2/0	175	150
3/0	185	150
4/0	200	150
250	225	150

FEATURES

- FLANGE THICKNESS
 - .080" TO 0.50"
- WIRE RANGE
 - #6 to #1 SOLID
 - #6 TO 250 MCM STRANDED
 - LAY-IN CAPABILITY
- BODY MATERIAL: 6061-T6 ALUMINUM, TIN-PLATED
- SCREW MATERIAL: 18-8 STAINLESS STEEL
- UL LISTED UL467, CU WIRE ONLY
- SCREW PENETRATES BEAM SURFACE PAINT/OXIDE FOR ELECTRICAL CONTACT
- CABLE TIE HOLDER (GBC250A-SST ONLY):
 - MECHANICAL STRENGTH 50 LB
 - MATERIAL: NYLON 6/6, BLACK. UV RESISTANT
 - UL RATED: INDOOR & OUTDOOR USE
 - OPENING (.06 x .19) ACCEPTS STANDARD-DUTY CABLE TIES
 - SECURED WITH 18-8 STAINLESS STEEL SCREW

REVISIONS			
REV.	DESCRIPTION	BY	DATE
A	LOWERED MAX BEAM FLANGE THICKNESS	MBS	9/6/2017

USE 1/4 HEX KEY, BOTH SCREWS



			MATERIAL SEE NOTES	DO NOT SCALE DRAWING			GREAVES CORPORATION 30 INDUSTRIAL PARK ROAD CENTERBROOK, CT 06409		
			FINISH SEE NOTES	SCALE 2:3			TITLE GBC250A-SS		
			TOLERANCE UNLESS OTHERWISE SPECIFIED	DRAWN MBS	DATE 8/14/2017				
			DECIMAL .XX±.02	CHECKED		CODE IDENT		DRAWING NUMBER	REV
			DECIMAL .XXX±.005	SIZE A				GBC250A	A
USED ON	NEXT ASSY	QTY	ANGLE±0°30'	SHEET 1 OF 1					