



## UTILITY TRANSMISSION

### ALUMINUM COMPRESSION LUGS

Pure cast aluminum compression lugs for terminating aluminum conductor to flat pad, such as for MC, ACSR aluminum transmission lines.

Pads have standard NEMA bolting patterns for 2-hole (2N), or four-hole (4N, 44N).

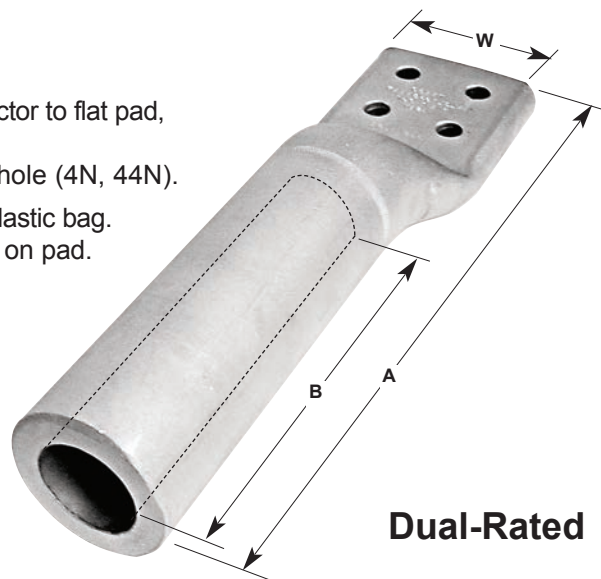
Barrels pre-filled with oxide-inhibitor compound and enclosed in clear plastic bag.

Pad coated with oxide-retardant, and oxide-inhibitor is recommended on pad.

For use with conventional compression tooling.

Uses same dies as equivalent full-tension sleeve or dead-end.

Also available with pad at angle; specify angle with suffix such as -15, -30, -45, -90.



**Dual-Rated**

### ALCL SERIES

NAED NUMBER	CATALOG NUMBER	AAC SIZE AWG OR MCM	ACSR SIZE AWG OR MCM	CONDUCTOR DIAMETER (INCHES)	DIMENSIONS (INCHES)			DIE	EST. SHIPPING	
		MIN. - MAX.	MIN. - MAX.		A	B	W		WEIGHT (lbs)	UNIT
49220	ALCL2A2N	#2	#2	.292 - .325	5 1/4	1 1/2	2	.640	.4	EA
49120	ALCL1/0A2N	1/0	1/0	.355 - .398	5 1/4	1 1/2	2	.840	.5	EA
49140	ALCL1/0A4N			.355 - .398	5 1/4	1 1/2	3	.840	.5	EA
49202	ALCL2/0A2N	2/0	2/0	.414 - .447	6	2	2	.840	.5	EA
49204	ALCL2/0A4N			.414 - .447	6	2	3	.840	.5	EA
49302	ALCL3/0A2N	3/0	3/0	.464 - .502	6	2	2	.840	.5	EA
49304	ALCL3/0A4N			.464 - .502	6	2	3	.840	.5	EA
49402	ALCL4/0A2N	4/0	4/0	.522 - .563	7 1/4	3 1/2	2	.840	.5	EA
49404	ALCL4/0A4N			.522 - .563	7 1/4	3 1/2	3	.840	.5	EA
49262	ALCL226A2N	226.8 - 300	226.8 - 300	.586 - .642	7 1/4	3 1/2	3	1.25	.6	EA
49264	ALCL226A4N			.586 - .642	7 1/4	3 1/2	3	1.25	.6	EA
49364	ALCL336A4N	336.4 (19) - 350 (37)	336.4 (36/1) - 336.4 (18/1)	.666 - .684	7 1/4	3 1/2	3	1.32	1.25	EA
49374	ALCL397A4N	397.5 (19) - 400 (37)	336.4 (26/7) - 397.5 (18/1)	.721 - .743	7 1/4	3 1/2	3	1.32	1.25	EA
49744	ALCL700A44N	700 (61) - 795 (61)	605 (26/7) - 636 (30/19)	.964 - 1.028	12 1/8	6 3/4	4	1.5	1.4	EA
49844	ALCL800A44N	800 (61) - 817.5 (61)	715.5 (54/7) - 715.5 (30/19)	1.031 - 1.081	12 1/8	6 3/4	4	1.843	1.75	EA
49944	ALCL900A44N	900 (37) - 1000 (61)	795 (24/7) - 874.5 (54/7)	1.092 - 1.152	12 1/8	6 3/4	4	1.843	1.75	EA
49134	ALCL1033A44N	1033.5 (37) - 1113 (61)	900 (54/7) - 954 (54/7)	1.162 - 1.216	15	9 1/4	4	2.125	2.5	EA
49124	ALCL1200A44N	1200 (91) - 1272 (61)	1033.5 (54/7) - 1113 (54/19)	1.246 - 1.300	15	9 1/4	4	2.375	2.9	EA
49144	ALCL1400A44N	1400 (91) - 1510.5 (61)	1272 (45/7) - 1351.5 (54/19)	1.345 - 1.424	15	9 1/4	4	2.375	2.9	EA
49154	ALCL1590A4N	1590 (61) - 1700 (127)	1351.5 (54/19) - 1510.5 (54/19)	1.424 - 1.506	15	9 1/4	4	2.375	2.9	EA
49174	ALCL1750A4N	1750 (127)	1510.5 (54/19) - 1590 (54/19)	1.506 - 1.545	14	9 1/4	4	2.375	2.9	EA
49344	ALCL3000A44N	3000 (127)	-	1.996	15	9 1/4	4	2.937	3.75	EA
49354	ALCL3500A44N	3500 (127)	-	2.160	15	9 1/4	4	2.937	3.75	EA

Other sizes available, consult factory.

Most sizes also available in copper.

ALCL connectors are custom made-to-order and are not returnable.

www.greaves-usa.com

Phone 860-664-4505 • Fax 860-664-4546

TOLL FREE 1-800-243-1130 (Outside CT)