

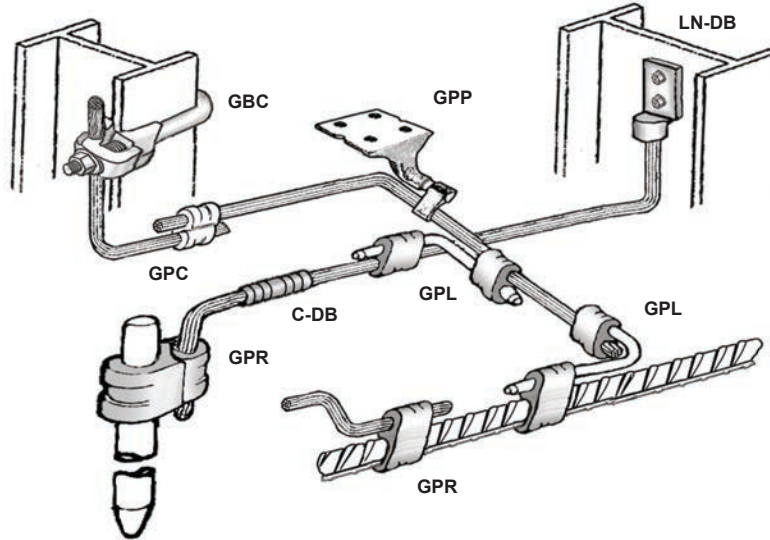


GROUND-PRES™

IRREVERSIBLE COMPRESSION SYSTEM

Irreversible compression "C tap" connectors for direct burial grounding grid applications

Direct Burial



Tap or lap-splice for wire-to-wire connections
GPC SERIES

CAUTION
Use of wash-off resistant oxide-inhibitor is recommended with all underground joints.

NAED NUMBER	CATALOG NUMBER	WIRE RANGE		DIE	CTN QTY	EST. SHIPPING	
		MAIN	TAP			WEIGHT (lbs)	UNIT
12946	GPC46	#4STR-6SOL	#6STR-6SOL	BG or 5/8	50	2.3	CTN
12944	GPC44		#4STR-4SOL		50	2.4	CTN
12926	GPC26	#2STR-2SOL	#6STR-8SOL	C	25	2.3	CTN
12922	GPC22		#2STR-2SOL		25	2.3	CTN
12920	GPC2020	2/0-1/0STR	2/0STR-1/0SOL	O	10	4.1	CTN
12923	GPC2520	250-3/0	2/0-6SOL	997	10	2.3	CTN
12924	GPC2525		250-3/0		10	2.6	CTN
12942	GPC4020	4/0-3/0SOL	2/0STR-1/0SOL	F or D3	10	3.8	CTN
12940	GPC4040		4/0STR-3/0SOL		10	3.3	CTN



Tap or lap-splice for ground rod-to-wire or wire-to-wire connections
GPR SERIES

NAED NUMBER	CATALOG NUMBER	MAIN		TAP	DIE	CTN QTY	EST. SHIPPING	
		ROD	WIRE	WIRE			WEIGHT (lbs)	UNIT
12822	GPR122	1/2, 5/8	250MCM-1/0 STR	#2STR-4SOL	997	10	3.2	CTN
12823	GPR1220			2/0-1/0STR		10	3.0	CTN
12824	GPR1225			250MCM-3/0STR		10	2.6	CTN
12834	GPR342	5/8, 3/4	500-250MCM	#2STR-4SOL	998	10	4.7	CTN
12835	GPR3420			2/0-1/0STR		10	4.6	CTN
12836	GPR3425			250MCM-3/0STR		10	4.2	CTN
12837	GPR3450			500MCM3/0STR		5	5.0	CTN



Perpendicular configuration for ground rod-to-wire or wire-to-wire connections
GPL SERIES

NAED NUMBER	CATALOG NUMBER	ROD	A		B		DIE	CTN QTY	EST. SHIPPING	
			WIRE	WIRE	WIRE	A			B	WEIGHT (lbs)
12722	GPL22	—	#2STR-6SOL	#2STR-6SOL	O	O	4	1.8	CTN	
12723	GPL122	1/2, 5/8	250MCM-1STR	#2STR-6SOL	997	O	4	2.3	CTN	
12724	GPL1225		250MCM-#2STR	250MCM-#2	997	997	2	1.7	CTN	
12734	GPL342	5/8, 3/4	500-250MCM	#2STR-6SOL	998	O	2	2.2	CTN	
12735	GPL3425			250MCM-#2	998	997	2	2.2	CTN	
12736	GPL3450			500-250MCM	999	999	2	3.6	CTN	



Hydraulic tool required for installation for all except GPL22.