



GREAVES

POWER DISTRIBUTION

Side-Stacker™ ONE-POLE MODULES

Modular System of Splicers, Reducers, and Splitters

Versatile one-pole modules stand alone or stack into multi-pole sets
 Compact modules fit where others are too large - no wide flanges
 Tough, high-impact, high-dielectric fiberglass insulation cases
 For use in trough, wireway, panels, control systems



Dual-Rated

CU9AL
 600VAC
 90°C



SPD SERIES

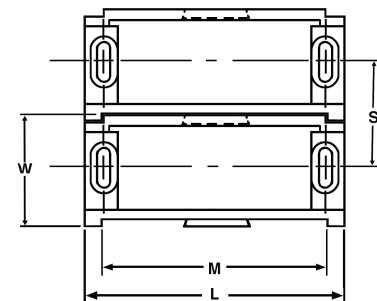
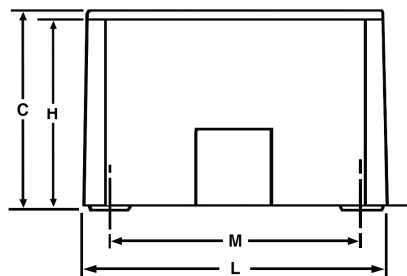
One Primary

NAED NUMBER	CATALOG NUMBER	CASE SIZE	LINE SIDE		LOAD SIDE		AMPS PER POLE	CTN QTY	EST. SHIPPING	
			PORTS	WIRE RANGE	PORTS	WIRE RANGE			WEIGHT (lbs)	UNIT
82201	SPD-I1-I1	S		#2-14*		#2-14*	115	6 or 24	1.26	CTN (6)
82301	SPD-K1-K1	S		#2/0-14*		#2/0-14*	175	6 or 24	1.32	CTN (6)
82401	SPD-N1-N1	M		250-6		250-6	225	3 or 6	1.65	CTN (3)
82551	SPD-P1-P1	M		350-6		350-6	310	3 or 6	2.04	CTN (3)
82601	SPD-R1-R1	M		500-4		500-4	380	3 or 6	2.25	CTN (3)
82304	SPD-K1-H4	S		#2/0-14*		#4-14*	175	6 or 24	5.41	CTN (6)
82306	SPD-K1-H6	S		#2/0-14*		#4-14*	175	6 or 24	5.49	CTN (6)
82506	SPD-P1-H6	M		350-6		#4-14*	310	3 or 6	2.01	CTN (3)
82412	SPD-P1-H12	M		350-6		#4-14*	310	3 or 6	2.03	CTN (3)
82602	SPD-R1-H12	M		500-4		#4-14*	380	3 or 6	2.05	CTN (3)
82605	SPD-P1-K6	L		350-6		#2/0-14*	310	2	2.63	CTN
82606	SPD-R1-K6	L		500-4		#2/0-14*	380	2	2.98	CTN
82806	SPD-V1-K6	L		1000-250		#2/0-14*	545	2	2.86	CTN
82604	SPD-R1-M4	L		500-4		#4/0-6	380	2	3.01	CTN

UL recognized.

*Copper wire only for #14AWG

CASE SIZE	CASE DIMENSIONS				MOUNTING PATTERN		
	L	W	H	C	M	S	BOLT
S	2.9	1.04	2.72	2.46	2.25	.93	3/16
M	4.0	1.71	2.62	2.73	3.31	1.59	3/16
L	5.5	2.90	3.25	3.36	4.72	2.77	1/4





POWER DISTRIBUTION

Side-Stacker™ ONE-POLE MODULES

Modular System of Splicers, Reducers, and Splitters

Versatile one-pole modules stand alone or stack into multi-pole sets

Compact modules fit where others are too large - no wide flanges

Tough, high-impact, high-dielectric fiberglass insulation cases

For use in trough, wireway, panels, control systems



Dual-Rated

CU9AL
600VAC
90°C

SPD SERIES

Two Primary

NAED NUMBER	CATALOG NUMBER	CASE SIZE	LINE SIDE		LOAD SIDE		AMPS PER POLE	CTN QTY	EST. SHIPPING	
			PORTS	WIRE RANGE	PORTS	WIRE RANGE			WEIGHT (lbs)	UNIT
82322	SPD-K2-K2	S		2/0-#14*		2/0-#14*	350	6 or 24	6.27	CTN (6)
82522	SPD-P2-P2	L		350-#6		350-#6	620	2	2.75	CTN
82622	SPD-R2-R2	L		500-#4		500-#4	760	2	2.96	CTN
82526	SPD-K2-H6	S		2/0-#14*		#4-14*	350	6 or 24	5.91	CTN (6)
82316	SPD-K2-I6	M		2/0-#14*		#2-14*	350	3 or 6	2.32	CTN (3)
82312	SPD-K2-H12	M		2/0-#14*		#4-14*	350	3 or 6	2.07	CTN (3)
82512	SPD-P2-H12	L		350-#6		#4-14*	620	2	2.56	CTN
82612	SPD-R2-H12	L		500-#4		#4-14*	760	2	2.66	CTN
82516	SPD-P2-K6	L		350-#6		#2/0-14*	620	2	2.79	CTN
82626	SPD-R2-K6	L		500-#4		#2/0-14*	760	2	3.27	CTN
82614	SPD-R2-M4	L		500-#4		#4/0-6	760	2	3.24	CTN

UL recognized.

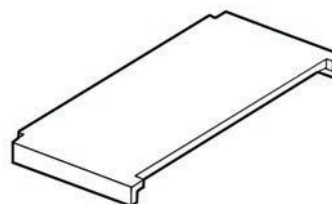
*Copper wire only for #14AWG

COVERS

Provides touch-safe guard on SPD units

Snap-on covers mean quick installation and removal

Clear, high-temperature polycarbonate polymer



SPD-C SERIES

82991	SPD-CS	S	6	0.10	CTN
82992	SPD-CM	M	6	0.29	CTN
82993	SPD-CL	L	4	0.44	CTN