



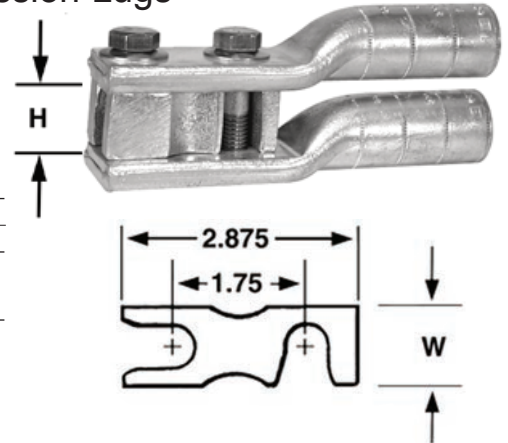
COMPRESSION ACCESSORIES

STACKLUG™ ADAPTERS

Stacking Adapters for Aluminum and Copper Compression Lugs

Tin-plated impacted pure aluminum for good conductivity and corrosion resistance
 Two sizes accommodate terminals from 1/0 through 750 MCM
 Allows stacking of standard terminals
 Keeps costly inventories to a minimum

Dual-Rated



TSA SERIES

NAED NUMBER	CATALOG NUMBER	BOLT SPACING	H	W	TERMINAL MAX - MIN	CTN QTY	EST. SHIPPING	
							WEIGHT (lbs)	UNIT
14090	TSA-875	1.75	.875	1.0	250 - 1/0	10	1.56	CTN
14091	TSA-1125		1.125	1.38	750 - 1/0	10	3.16	CTN

To stack 4 hole NEMA drilled terminals, use 2 adapters assembled in parallel.

BELLEMORE™ BUSHINGS

Hole-Reducer Mounting Adapters

Use to down-size a mounting hole and maintain concentricity
 Makes a secure trouble-free terminal mounting
 Simple to use: just replace a flat washer with the appropriate bushing
 Reduces costly lug inventory by making existing inventory more versatile
 Suitable for use with both copper and aluminum terminals
 Tin-plated high copper alloy

LP-R SERIES

NAED NUMBER	CATALOG NUMBER	MOUNTING HOLE REDUCTION	DIMENSIONS		CTN QTY	EST. SHIPPING	
			D	T		WEIGHT (lbs)	UNIT
14013	LP 1R3	5/8 to 1/2	1	.080	10	0.19	CTN
14036	LP 3R6	1/2 to 3/8	7/8	.062	25	0.35	CTN
14030	LP 3R0	1/2 to 1/4	7/8	.062	25	0.28	CTN
14068	LP 6R8	3/8 to 5/16	3/4	.062	25	0.20	CTN
14060	LP 6R0	3/8 to 1/4	3/4	.062	25	0.23	CTN
14080	LP 8R0	5/16 to 1/4	11/16	.062	25	0.15	CTN

Specifically designed for use with Greaves compression connectors.

