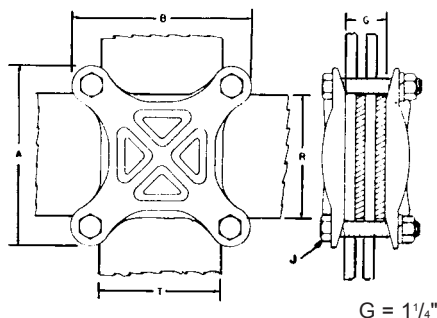
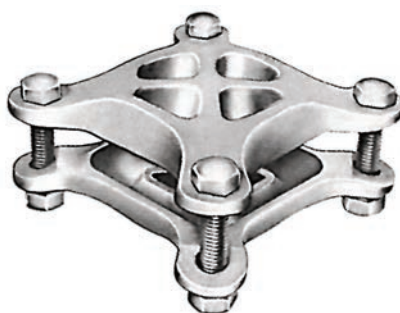


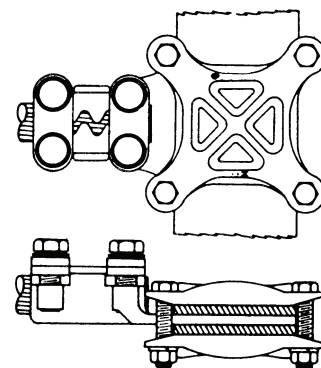
H SERIES Bar clamps



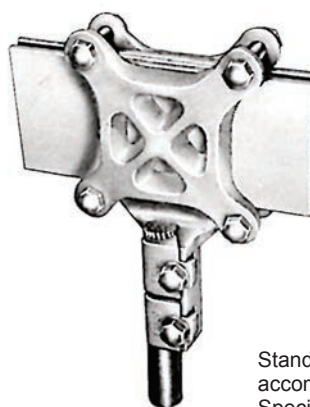
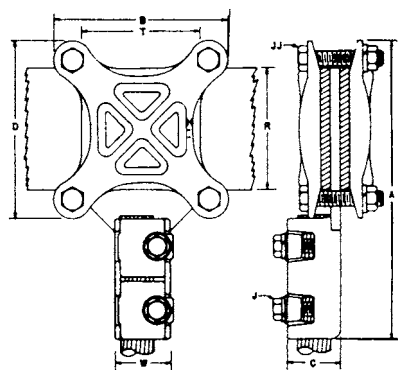
G = 1/4"



HP SERIES Bar taps



HJJ SERIES Bar taps



Standard spacing on bar tap clamps accommodates 3/4" bus stack. Specify if greater spacing required.

Bus Bar Width		Cable Range			Catalog Number	BRONZE CONNECTORS							DUAL-RATED ALUMINUM CONNECTORS							
R	T	Max.	Min.	IPS		Dimension in Inches (Approximate)							Dimension in Inches (Approximate)							
						A	B	C	D	J	JJ	W	Number	A	B	C	D	J	JJ	W
3	3				H33	4 ³ / ₈	4 ³ / ₈			3/8			ALH33	4 ³ / ₈	4 ³ / ₈			3/8		
4	4				H44	5 ⁵ / ₈	5 ⁵ / ₈			1/2			ALH44	5 ⁵ / ₈	5 ⁵ / ₈			1/2		
5	4				H54	6 ⁵ / ₈	5 ⁵ / ₈			5/8			ALH54	6 ⁵ / ₈	5 ⁵ / ₈			1/2		
5	5				H55	6 ⁷ / ₈	6 ⁷ / ₈			5/8			ALH55	6 ⁷ / ₈	6 ⁷ / ₈			5/8		
6	4				H64	7 ⁵ / ₈	5 ⁵ / ₈			1/2			ALH64	7 ⁵ / ₈	5 ⁵ / ₈			1/2		
6	5				H65	7 ⁷ / ₈	6 ⁷ / ₈			5/8			ALH65	7 ⁷ / ₈	6 ⁷ / ₈			5/8		
6	6				H66	7 ⁷ / ₈	7 ⁷ / ₈			5/8			ALH66	7 ⁷ / ₈	7 ⁷ / ₈			5/8		
8	4				H84	9 ⁵ / ₈	5 ⁵ / ₈			1/2			ALH84	9 ⁵ / ₈	5 ⁵ / ₈			1/2		
8	5				H85	10	7			5/8			ALH85	10	7			5/8		
8	6				H86	10	8			5/8			ALH86	10	8			5/8		
8	8				H88	10 ¹ / ₈	10 ¹ / ₈			5/8			ALH88	10 ¹ / ₈	10 ¹ / ₈			5/8		
3	3	4/0	2/0		HJJ433	6 ¹³ / ₁₆	4 ³ / ₈	1	4 ³ / ₈	5 ¹ / ₁₆	3/8	1 ¹ / ₁₆	ALHJJ433	6 ¹³ / ₁₆	4 ³ / ₈	1	4 ³ / ₈	5 ¹ / ₁₆	3/8	1 ¹ / ₁₆
4	4	4/0	2/0		HJJ444	7 ¹³ / ₁₆	5 ³ / ₈	1	5 ³ / ₈	5 ¹ / ₁₆	1/2	1 ¹ / ₁₆	ALHJJ444	7 ¹³ / ₁₆	5 ³ / ₈	1	5 ³ / ₈	5 ¹ / ₁₆	1/2	1 ¹ / ₁₆
3	3	350	4/0		HJJ533	7 ¹ / ₈	4 ³ / ₈	1 ¹ / ₄	4 ³ / ₈	3/8	3/8	1 ¹ / ₄	ALHJJ533	7 ¹ / ₈	4 ³ / ₈	1 ¹ / ₄	4 ³ / ₈	3/8	3/8	1 ¹ / ₄
4	4	350	4/0		HJJ544	8 ¹ / ₈	5 ⁵ / ₈	1 ¹ / ₄	5 ⁵ / ₈	3/8	1/2	1 ¹ / ₄	ALHJJ544	8 ¹ / ₈	5 ⁵ / ₈	1 ¹ / ₄	5 ⁵ / ₈	3/8	1/2	1 ¹ / ₄
3	3	500	350		HJJ633	7 ⁵ / ₈	4 ³ / ₈	1 ⁷ / ₁₆	4 ³ / ₈	3/8	3/8	1 ⁷ / ₁₆	ALHJJ633	7 ⁵ / ₈	4 ³ / ₈	1 ⁷ / ₁₆	4 ³ / ₈	3/8	3/8	1 ⁷ / ₁₆
4	4	500	350		HJJ644	8 ⁵ / ₈	5 ⁵ / ₈	1 ⁷ / ₁₆	5 ⁵ / ₈	3/8	1/2	1 ⁷ / ₁₆	ALHJJ644	8 ⁵ / ₈	5 ⁵ / ₈	1 ⁷ / ₁₆	5 ⁵ / ₈	3/8	1/2	1 ⁷ / ₁₆
3	3	750	500		HJJ733	8 ¹ / ₈	4 ³ / ₈	1 ³ / ₄	4 ³ / ₈	7/16	3/8	1 ¹ / ₁₆	ALHJJ733	8 ¹ / ₈	4 ³ / ₈	1 ³ / ₄	4 ³ / ₈	7/16	3/8	1 ¹ / ₁₆
4	4	750	500		HJJ744	9 ¹ / ₈	5 ⁵ / ₈	1 ³ / ₄	5 ⁵ / ₈	7/16	1/2	1 ¹ / ₁₆	ALHJJ744	9 ¹ / ₈	5 ⁵ / ₈	1 ³ / ₄	5 ⁵ / ₈	7/16	1/2	1 ¹ / ₁₆
3	3	1000	750		HJJ833	8 ¹³ / ₁₆	4 ³ / ₈	1 ¹⁵ / ₁₆	4 ³ / ₈	1/2	3/8	1 ¹⁵ / ₁₆	ALHJJ833	8 ¹³ / ₁₆	4 ³ / ₈	1 ¹⁵ / ₁₆	4 ³ / ₈	1/2	3/8	1 ¹⁵ / ₁₆
4	4	1000	750		HJJ844	9 ¹ / ₁₆	5 ⁵ / ₈	1 ¹³ / ₁₆	5 ⁵ / ₈	1/2	1/2	1 ¹⁵ / ₁₆	ALHJJ844	9 ¹ / ₁₆	5 ⁵ / ₈	1 ¹³ / ₁₆	5 ⁵ / ₈	1/2	1/2	1 ¹⁵ / ₁₆
3	3	350	2/0	3/8	HP433	7 ³ / ₁₆	4 ³ / ₈	1 ³ / ₄	4 ³ / ₈	1/2	3/8	2 ³ / ₈	ALHP433	7 ³ / ₁₆	4 ³ / ₈	1 ³ / ₄	4 ³ / ₈	1/2	3/8	2 ³ / ₈
4	4	350	2/0	3/8	HP444	8 ³ / ₁₆	5 ⁵ / ₈	1 ³ / ₄	5 ⁵ / ₈	1/2	1/2	2 ³ / ₈	ALHP444	8 ³ / ₁₆	5 ⁵ / ₈	1 ³ / ₄	5 ⁵ / ₈	1/2	1/2	2 ³ / ₈
3	3	600	350	1/2	HP533	7 ³ / ₁₆	4 ³ / ₈	1 ¹⁵ / ₁₆	4 ³ / ₈	1/2	3/8	2 ¹ / ₁₆	ALHP533	7 ³ / ₁₆	4 ³ / ₈	1 ¹⁵ / ₁₆	4 ³ / ₈	1/2	3/8	2 ¹ / ₁₆
4	4	600	350	1/2	HP544	8 ³ / ₁₆	5 ⁵ / ₈	1 ¹⁵ / ₁₆	5 ⁵ / ₈	1/2	1/2	2 ¹ / ₁₆	ALHP544	8 ³ / ₁₆	5 ⁵ / ₈	1 ¹⁵ / ₁₆	5 ⁵ / ₈	1/2	1/2	2 ¹ / ₁₆
3	3	1000	600	3/4	HP633	7 ³ / ₈	4 ³ / ₈	2 ³ / ₁₆	4 ³ / ₈	1/2	3/8	2 ³ / ₁₆	ALHP633	7 ³ / ₈	4 ³ / ₈	2 ³ / ₁₆	4 ³ / ₈	1/2	3/8	2 ³ / ₁₆
4	4	1000	600	3/4	HP644	8 ³ / ₈	5 ⁵ / ₈	2 ³ / ₁₆	5 ⁵ / ₈	1/2	1/2	2 ³ / ₁₆	ALHP644	8 ³ / ₈	5 ⁵ / ₈	2 ³ / ₁₆	5 ⁵ / ₈	1/2	1/2	2 ³ / ₁₆
3	3	1500	1000	1	HP733	7 ⁹ / ₁₆	4 ³ / ₈	2 ⁷ / ₈	4 ³ / ₈	1/2	3/8	2 ¹³ / ₁₆	ALHP733	7 ⁹ / ₁₆	4 ³ / ₈	2 ⁷ / ₈	4 ³ / ₈	1/2	3/8	2 ¹³ / ₁₆
4	4	1500	1000	1	HP744	8 ¹³ / ₁₆	5 ⁵ / ₈	2 ⁷ / ₈	5 ⁵ / ₈	1/2	1/2	2 ¹³ / ₁₆	ALHP744	8 ¹³ / ₁₆	5 ⁵ / ₈	2 ⁷ / ₈	5 ⁵ / ₈	1/2	1/2	2 ¹³ / ₁₆
3	3	2000	1500	1 ¹ / ₄	HP833	7 ³ / ₄	4 ³ / ₈	3	4 ³ / ₈	1/2	3/8	3 ¹ / ₁₆	ALHP833	7 ³ / ₄	4 ³ / ₈	3	4 ³ / ₈	1/2	3/8	3 ¹ / ₁₆
4	4	2000	1500	1 ¹ / ₄	HP844	9	5 ⁵ / ₈	3	5 ⁵ / ₈	1/2	1/2	3 ¹ / ₁₆	ALHP844	9	5 ⁵ / ₈	3	5 ⁵ / ₈	1/2	1/2	3 ¹ / ₁₆