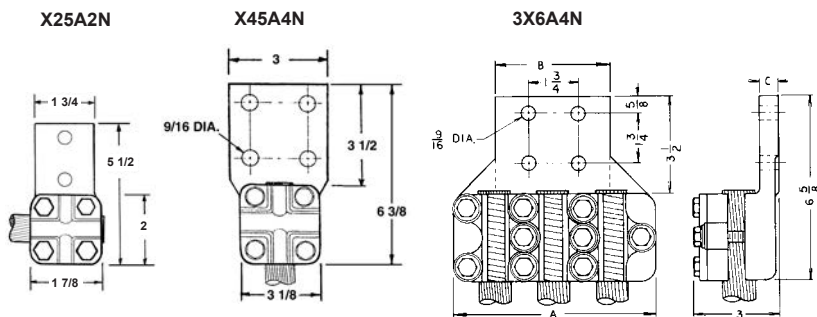
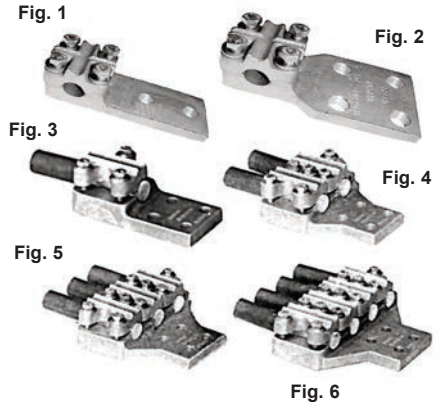


## XA SERIES

Terminal lugs for one through four cables

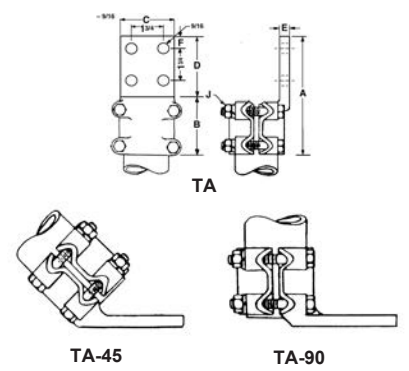
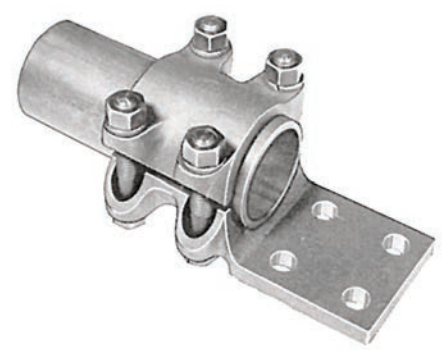
Cable Range Max. Min. ** H.T. Fig.				BRONZE CONNECTORS			DUAL-RATED ALUM. CONNECTORS				
				Catalog Number	Dimension in Inches (Approx.)			Catalog Number	Dimension in Inches (Approximate)		
					A	B	C		A	B	C
250	6 Sol.	2	1	X25A2N	1 7/8	1 3/4	1/4	ALX25A2N	1 7/8	1 3/4	1/4
500	#2	2	1	X45A2N	2	2 1/2	7/16	ALX45A2N	2	2 1/2	7/16
500	#2	4	2	X45A4N	2	3	7/16	ALX45A4N	2	3	7/16
1000	#2	4	3	X6A4N	3 1/8	3	5/8	ALX6A4N	3 1/8	3	5/8
1000	#2	4	4	2X6A4N	5 1/4	3	5/8	AL2X6A4N	5 1/4	3	5/8
1000	#2	4	5	3X6A4N	7 3/8	4	5/8	AL3X6A4N	7 3/4	4	5/8
1000	#2	4	6	4X6A4N	9 1/2	4	5/8	AL4X6A4N	9 1/2	4	5/8



## TA, TA-45, TA-90 SERIES

Terminal lugs, IPS tube

IPS	H.T. **	BRONZE CONNECTORS							DUAL-RATED ALUMINUM CONNECTORS						
		Catalog Number	Dimension in Inches (Approx.)						Catalog Number	Dimension in Inches (Approx.)					
			A	B	C	D	E	J		A	B	C	D	E	J
1/2	2	T0A2N-6	5 3/8	2	1 1/2	3 3/8	5/16	3/8	ALTOA2N-6	5 3/8	2	1 1/2	3 3/8	5/16	3/8
1/2	4	T0A4N-6	5 3/8	2	3	3 3/8	5/16	3/8	ALTOA4N-6	5 3/8	2	3	3 3/8	5/16	3/8
1/2	2	T0A2N	5 5/8	2 1/4	1 1/2	3 3/8	5/16	1/2	ALTOA2N	5 5/8	2 1/4	1 1/2	3 3/8	5/16	1/2
1/2	4	T0A4N	5 5/8	2 1/4	3	3 3/8	5/16	1/2	ALTOA4N	5 5/8	2 1/4	3	3 3/8	5/16	1/2
3/4	2	T1A2N-6	5 1/2	2 1/8	1 3/4	3 3/8	11/32	3/8	ALT1A2N-6	5 1/2	2 1/8	1 3/4	3 3/8	11/32	3/8
3/4	4	T1A4N-6	5 1/2	2 1/8	3	3 3/8	11/32	3/8	ALT1A4N-6	5 1/2	2 1/8	3	3 3/8	11/32	3/8
3/4	2	T1A2N	5 3/4	2 3/8	1 3/4	3 3/8	11/32	1/2	ALT1A2N	5 3/4	2 3/8	1 3/4	3 3/8	11/32	1/2
3/4	4	T1A4N	5 3/4	2 3/8	3	3 3/8	11/32	1/2	ALT1A4N	5 3/4	2 3/8	3	3 3/8	11/32	1/2
1	2	T2A2N-6	5 5/8	2 1/4	2	3 3/8	3/8	3/8	ALT2A2N-6	5 5/8	2 1/4	2	3 3/8	3/8	3/8
1	4	T2A4N-6	5 5/8	2 1/4	3	3 3/8	3/8	3/8	ALT2A4N-6	5 5/8	2 1/4	3	3 3/8	3/8	3/8
1	2	T2A2N	5 7/8	2 1/2	2	3 3/8	3/8	1/2	ALT2A2N	5 7/8	2 1/2	2	3 3/8	3/8	1/2
1	4	T2A4N	5 7/8	2 1/2	3	3 3/8	3/8	1/2	ALT2A4N	5 7/8	2 1/2	3	3 3/8	3/8	1/2
1 1/4	2	T3A2N	6 1/16	2 5/8	2 1/4	3 7/16	3/8	1/2	ALT3A2N	6 1/16	2 5/8	2 1/4	3 7/16	3/8	1/2
1 1/4	4	T3A4N	6 1/16	2 5/8	3	3 7/16	3/8	1/2	ALT3A4N	6 1/16	2 5/8	3	3 7/16	3/8	1/2
1 1/2	2	T4A2N	6 1/4	2 3/4	2 1/2	3 1/2	7/16	1/2	ALT4A2N	6 1/4	2 3/4	2 1/2	3 1/2	7/16	1/2
1 1/2	4	T4A4N	6 1/4	2 3/4	3	3 1/2	7/16	1/2	ALT4A4N	6 1/4	2 3/4	3	3 1/2	7/16	1/2
2	2	T5A2N	6 3/8	2 7/8	2 1/4	3 1/2	1/2	1/2	ALT5A2N	6 3/8	2 7/8	2 1/4	3 1/2	1/2	1/2
2	4	T5A4N	6 3/8	2 7/8	3	3 1/2	1/2	1/2	ALT5A4N	6 3/8	2 7/8	3	3 1/2	1/2	1/2
2 1/2	2	T6A2N	6 1/2	3	3	3 1/2	9/16	1/2	ALT6A2N	6 1/2	3	3	3 1/2	9/16	1/2
2 1/2	4	T6A4N	6 1/2	3	3	3 1/2	9/16	1/2	ALT6A4N	6 1/2	3	3	3 1/2	9/16	1/2
3	2	T7A2N	6 3/4	3 1/4	3	3 1/2	5/8	5/8	ALT7A2N	6 3/4	3 1/4	3	3 1/2	5/8	5/8
3	4	T7A4N	6 3/4	3 1/4	3	3 1/2	5/8	5/8	ALT7A4N	6 3/4	3 1/4	3	3 1/2	5/8	5/8
3 1/2	4	T8A4N	7	3 1/2	3	3 1/2	3/4	5/8	ALT8A4N	7	3 1/2	3	3 1/2	3/4	5/8
4	4	T9A4N	7 1/4	3 3/4	3	3 1/2	3/4	5/8	ALT9A4N	7 1/4	3 3/4	3	3 1/2	3/4	5/8



Suffix "6" indicates 3/8" bolt.  
For TA-45 and TA-90 types add suffix "45" or "90" to applicable catalog number.

\*\* Holes in Tang