



UTILITY TRANSMISSION

ALUMINUM COMPRESSION LUGS

Pure cast aluminum compression lugs for terminating aluminum conductor to flat pad, such as for MC, ACSR aluminum transmission lines.

Pads have standard NEMA bolting patterns for 2-hole (2N), or four-hole (4N, 44N).

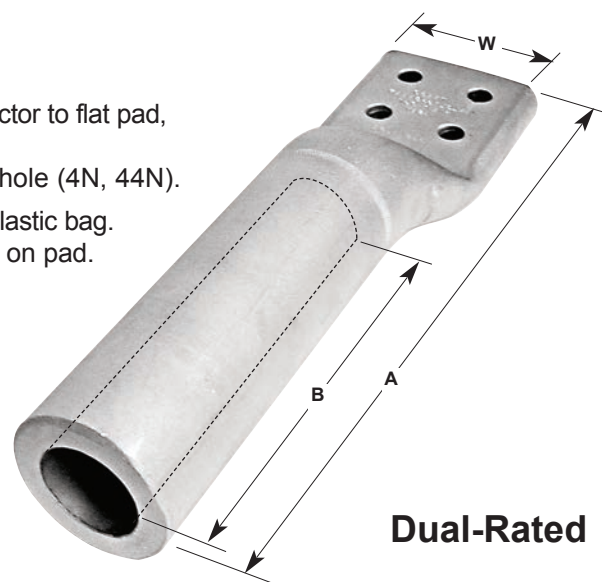
Barrels pre-filled with oxide-inhibitor compound and enclosed in clear plastic bag.

Pad coated with oxide-retardant, and oxide-inhibitor is recommended on pad.

For use with conventional compression tooling.

Uses same dies as equivalent full-tension sleeve or dead-end.

Also available with pad at angle; specify angle with suffix such as -15, -30, -45, -90.



Dual-Rated

ALCL SERIES

NAED NUMBER	CATALOG NUMBER	AAC SIZE AWG OR MCM	ACSR SIZE AWG OR MCM	CONDUCTOR DIAMETER (INCHES)	DIMENSIONS (INCHES)			DIE	EST. SHIPPING	
		MIN. - MAX.	MIN. - MAX.		A	B	W		WEIGHT (lbs)	UNIT
49220	ALCL2A2N	#2	#2	.292 - .325	5 1/4	1 1/2	2	.640	.4	EA
49120	ALCL1/0A2N	1/0	1/0	.355 - .398	5 1/4	1 1/2	2	.840	.5	EA
49140	ALCL1/0A4N			.355 - .398	5 1/4	1 1/2	3	.840	.5	EA
49202	ALCL2/0A2N	2/0	2/0	.414 - .447	6	2	2	.840	.5	EA
49204	ALCL2/0A4N			.414 - .447	6	2	3	.840	.5	EA
49302	ALCL3/0A2N	3/0	3/0	.464 - .502	6	2	2	.840	.5	EA
49304	ALCL3/0A4N			.464 - .502	6	2	3	.840	.5	EA
49402	ALCL4/0A2N	4/0	4/0	.522 - .563	7 1/4	3 1/2	2	.840	.5	EA
49404	ALCL4/0A4N			.522 - .563	7 1/4	3 1/2	3	.840	.5	EA
49262	ALCL226A2N	226.8 - 300	226.8 - 300	.586 - .642	7 1/4	3 1/2	3	1.25	.6	EA
49264	ALCL226A4N			.586 - .642	7 1/4	3 1/2	3	1.25	.6	EA
49364	ALCL336A4N	336.4 (19) - 350 (37)	336.4 (36/1) - 336.4 (18/1)	.666 - .684	7 1/4	3 1/2	3	1.32	1.25	EA
49374	ALCL397A4N	397.5 (19) - 400 (37)	336.4 (26/7) - 397.5 (18/1)	.721 - .743	7 1/4	3 1/2	3	1.32	1.25	EA
49744	ALCL700A44N	700 (61) - 795 (61)	605 (26/7) - 636 (30/19)	.964 - 1.028	12 1/8	6 3/4	4	1.5	1.4	EA
49844	ALCL800A44N	800 (61) - 817.5 (61)	715.5 (54/7) - 715.5 (30/19)	1.031 - 1.081	12 1/8	6 3/4	4	1.843	1.75	EA
49944	ALCL900A44N	900 (37) - 1000 (61)	795 (24/7) - 874.5 (54/7)	1.092 - 1.152	12 1/8	6 3/4	4	1.843	1.75	EA
49134	ALCL1033A44N	1033.5 (37) - 1113 (61)	900 (54/7) - 954 (54/7)	1.162 - 1.216	15	9 1/4	4	2.125	2.5	EA
49124	ALCL1200A44N	1200 (91) - 1272 (61)	1033.5 (54/7) - 1113 (54/19)	1.246 - 1.300	15	9 1/4	4	2.375	2.9	EA
49144	ALCL1400A44N	1400 (91) - 1510.5 (61)	1272 (45/7) - 1351.5 (54/19)	1.345 - 1.424	15	9 1/4	4	2.375	2.9	EA
49154	ALCL1590A4N	1590 (61) - 1700 (127)	1351.5 (54/19) - 1510.5 (54/19)	1.424 - 1.506	15	9 1/4	4	2.375	2.9	EA
49174	ALCL1750A4N	1750 (127)	1510.5 (54/19) - 1590 (54/19)	1.506 - 1.545	14	9 1/4	4	2.375	2.9	EA
49344	ALCL3000A44N	3000 (127)	-	1.996	15	9 1/4	4	2.937	3.75	EA
49354	ALCL3500A44N	3500 (127)	-	2.160	15	9 1/4	4	2.937	3.75	EA

Other sizes available, consult factory.

Most sizes also available in copper.

ALCL connectors are custom made-to-order and are not returnable.

www.greaves-usa.com

Phone 860-664-4505 • Fax 860-664-4546

TOLL FREE 1-800-243-1130 (Outside CT)



GREAVES

COMPRESSION

LONG BARREL FOUR-HOLE COPPER LUGS

Long barrel for heavy duty applications
 Produced of high conductivity wrought copper
 tin-plated for corrosion protection
 Marked with die index number

For copper cable
 600 V**

L-4N SERIES

Four-Hole NEMA

NAED NUMBER	CATALOG NUMBER	WIRE SIZE	BOLT		PAD THICKNESS	U-TYPE DIE		CTN QTY	EST. SHIPPING	
			SIZE	SPACING		COLOR	INDEX		WEIGHT (lbs)	UNIT
40080	L 40-4N	4/0 Aw g			3/16	P Ur PLE	15	1	.88	EA
40081	L 250-4N	250 MCM	1/2	1 3/4	3/16	YELL OW	16		.98	EA
40082	L 350-4N	350 MCM			3/16	r Ed	18/324		1.06	EA
40083	L 500-4N	500 MCM			1/4	Br Ow N	20/299		1.22	EA
40090	L 600-4N	600 MCM	1/2	1 3/4	1/4	g r EEN	22/472		1.32	EA
40084	L 750-4N	750 MCM			1/4	BLACK	24/473		1.41	EA
40085	L 1000-4N	1000 MCM			3/8	w hit E	27		2.27	EA
40086	L 1250-4N	1250 MCM	1/2	1 3/4	3/8	YELL OW	29		2.50	EA
40087	L 1500-4N	1500 MCM			11/32	g r EEN	31		2.77	EA
40089	L 2000-4N	2000 MCM			15/32	Br Ow N	34	3.50	EA	



Pad width 3 inches. Other sizes available. Consult factory.

**May be used for up to 35KV applications when proper installation and insulation procedures are employed.