



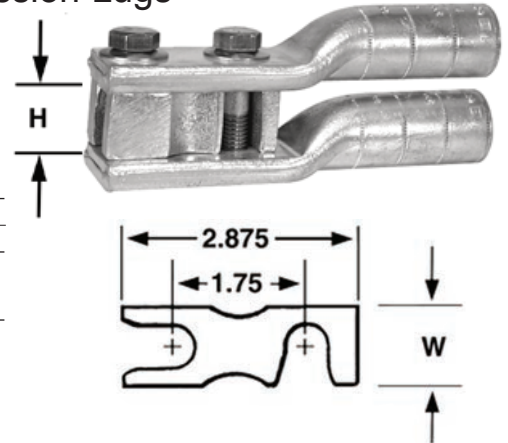
## COMPRESSION ACCESSORIES

### STACKLUG™ ADAPTERS

#### Stacking Adapters for Aluminum and Copper Compression Lugs

Tin-plated impacted pure aluminum for good conductivity and corrosion resistance  
 Two sizes accommodate terminals from 1/0 through 750 MCM  
 Allows stacking of standard terminals  
 Keeps costly inventories to a minimum

Dual-Rated



### TSA SERIES

NAED NUMBER	CATALOG NUMBER	BOLT SPACING	H	W	TERMINAL MAX - MIN	CTN QTY	EST. SHIPPING	
							WEIGHT (lbs)	UNIT
14090	TSA-875	1.75	.875	1.0	250 - 1/0	10	1.56	CTN
14091	TSA-1125		1.125	1.38	750 - 1/0	10	3.16	CTN

To stack 4 hole NEMA drilled terminals, use 2 adapters assembled in parallel.

### BELLEMORE™ BUSHINGS

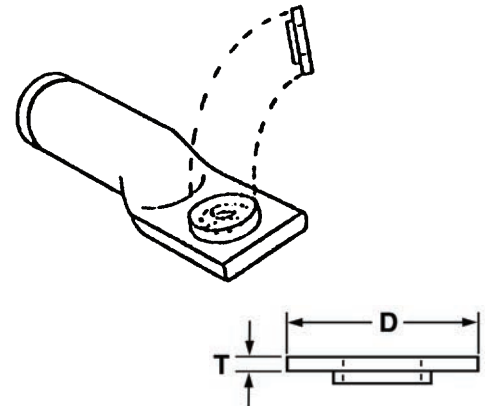
#### Hole-Reducer Mounting Adapters

Use to down-size a mounting hole and maintain concentricity  
 Makes a secure trouble-free terminal mounting  
 Simple to use: just replace a flat washer with the appropriate bushing  
 Reduces costly lug inventory by making existing inventory more versatile  
 Suitable for use with both copper and aluminum terminals  
 Tin-plated high copper alloy

### LP-R SERIES

NAED NUMBER	CATALOG NUMBER	MOUNTING HOLE REDUCTION	DIMENSIONS		CTN QTY	EST. SHIPPING	
			D	T		WEIGHT (lbs)	UNIT
14013	LP 1R3	5/8 to 1/2	1	.080	10	0.19	CTN
14036	LP 3R6	1/2 to 3/8	7/8	.062	25	0.35	CTN
14030	LP 3R0	1/2 to 1/4	7/8	.062	25	0.28	CTN
14068	LP 6R8	3/8 to 5/16	3/4	.062	25	0.20	CTN
14060	LP 6R0	3/8 to 1/4	3/4	.062	25	0.23	CTN
14080	LP 8R0	5/16 to 1/4	11/16	.062	25	0.15	CTN

Specifically designed for use with Greaves compression connectors.





ACCESSORIES

# BUG-LUG™

## OXIDE-INHIBITOR ELECTRICAL JOINT COMPOUND

Stable over wide temperature range  
 Assures a high-conductivity joint, seals out air and moisture  
 Seals out air and moisture from joint to prevent oxidation and corrosion  
 Suitable for bolted connector applications and aluminum conduit threads  
 Supple round polyethylene squeeze bottle for easy application, wide mouth for wire dipping  
 Compact 12-bottle carton (9 inch wide x 6 1/2 inch deep) fits on a small counter or shelf space

### BLZNG

#### Utility Grade

Universal non-petroleum based oxide-inhibitor compound  
 Contains homogeneously suspended zinc particles  
 Recommended for all AL/AL, AL/CU and CU/CU joints  
 Recommended especially for AL/AL and AL/CU compression joints

Metal particles help to break through thin oxide film on aluminum surfaces  
 Particles aid in gripping the connector and enhance electrical conductivity  
 Compatible with rubber, polyethylene, and most other insulating materials  
 Compatible with linesman rubber gloves  
 Workable from -10°F to 300°F  
 Service Temperature Range -40°F to 350°F  
 Will not wash off from exposure to the elements  
 Grey color

NAED NUMBER	CATALOG NO.	DESCRIPTION	CTN QTY	EST. SHIPPING	
				WEIGHT (lbs)	UNIT
13990	BLZNG-8	8 fl. oz. SQUEEZE BOTTLE	12	13	CTN



### BLOX

#### Commercial Grade

Petroleum based oxide-inhibitor compound  
 Suitable for all AL/AL, AL/CU, and CU/CU joints  
 Suitable for copper joints in direct burial  
 Not recommended with rubber gloves or rubber insulating materials  
 Compatible with polyethylene and most other insulating materials  
 Workable from -20°F to 300°F  
 Service Temperature Range -40°F to 300°F  
 Amber color

NAED NUMBER	CATALOG NO.	DESCRIPTION	CTN QTY	EST. SHIPPING	
				WEIGHT (lbs)	UNIT
13980	BLOX-8	8 fl. oz. SQUEEZE BOTTLE	12	8	CTN
13982	BLOX-1G	1 Gallon CAN	1	9	EA

