



GREAVES

AL SERIES

One-Hole Lugs

NAED NUMBER	CATALOG NUMBER	WIRE SIZE	BOLT SIZE	U-TYPE DIE		CTN QTY	EST. SHIPPING	
				COLOR	INDEX		WEIGHT (lbs)	UNIT
50401	AL 814	#8	1/4	BLUE	374	24	0.31	CTN
50400	*AL 614	#6	1/4	GRAY	8/346			CTN
50402	*AL 414	#4	1/4	GREEN	11/375	24	0.70	CTN
50403	†AL 438		3/8					CTN
50404	*AL 214	#2	1/4	PINK	12/348	24	0.92	CTN
50409	†AL 238		3/8					CTN
50405	*AL 114	#1	1/4	GOLD	471	24	0.84	CTN
50406	*AL 1038	1/0	3/8	TAN	296	24	1.60	CTN
50408	AL 1048		1/2					CTN
50410	*AL 2038	2/0	3/8	OLIVE	297	12	0.98	CTN
50412	AL 2048		1/2					CTN
50414	*AL 3038	3/0	3/8	RUBY	467	12	1.18	CTN
50416	AL 3048		1/2					CTN
50418	*AL 4038	4/0	3/8	WHITE	17/298	12	1.66	CTN
50420	AL 4048		1/2					CTN
50422	*AL 25048	250		RED	18/324	12	1.72	CTN
50424	*AL 30048	300	1/2	BLUE	19/470	6	1.12	CTN
50426	*AL 35048	350		BROWN	20/299	6	1.48	CTN
50428	*AL 40048	400	1/2	GREEN	22/472	6	2.08	CTN
50432	*AL 50048	500	1/2	PINK	300	6	2.68	CTN
50434	AL 50058		5/8					CTN
50436	#AL 60048	600	1/2	BLACK	24/473	3	1.91	CTN
50438	**AL 60058		5/8					CTN
50442	#AL 75048	750	1/2	YELLOW	936	3	2.06	CTN
50444	**AL 75058		5/8					CTN
50450	*AL 100058	1000	5/8	BROWN	302	1	1.16	EA

AL series lugs through 750 MCM have 1.75" maximum width to allow side-by-side NEMA mounting.

*NEMA stud drilling

**May be used for applications up to 35KV when proper installation and insulation procedures are employed.

For blank tangs, consult factory for availability.

† Not CSA.



Dual-Rated

AL9CU

600 V**



www.greaves-usa.com

Phone 860-664-4505 • Fax 860-664-4546

TOLL FREE 1-800-243-1130 (Outside CT)



GREAVES

COMPRESSION

ALUMINUM LUGS

Designed for heavy duty dual-rated applications
 Made of high conductivity wrought aluminum
 Tin plated to provide corrosion resistance
 Connector bores are coated with oxide inhibitor and capped
 Marked with die index and die color



Dual-Rated
 AL9CU
 600 V*

AL-N SERIES

Two-Hole NEMA

NAED NUMBER	CATALOG NUMBER	WIRE SIZE	BOLT SIZE	U-TYPE DIE		CTN QTY	EST. SHIPPING	
				COLOR	INDEX		WEIGHT (lbs)	UNIT
50454	AL 10 N	1/0	1/2	TAN	296	12	1.18	CTN
50456	AL 20 N	2/0	1/2	OLIVE	297	12	1.30	CTN
50458	AL 30 N	3/0	1/2	RUBY	467	12	1.30	CTN
50460	AL 40 N	4/0	1/2	WHITE	17/298	12	2.26	CTN
50462	AL 250 N	250	1/2	RED	18/324	12	2.38	CTN
50464	AL 300 N	300	1/2	BLUE	470	6	1.48	CTN
50466	AL 350 N	350	1/2	BROWN	20/299	6	2.08	CTN
50468	AL 400 N	400	1/2	GREEN	22/472	6	2.56	CTN
50470	AL 500 N	500	1/2	PINK	300	6	3.22	CTN
50472	# AL 600 N	600	1/2	BLACK	24/473	3	2.24	CTN
50474	# AL 750 N	750	1/2	YELLOW	936	3	2.30	CTN
50478	# AL 1000 N	1000	1/2	BROWN	302	1	1.82	EA

*May be used for applications up to 35KV when proper installation and insulation procedures are employed.
 # AL-N lugs have 1.75" maximum width to allow side-by-side NEMA mounting.



STACKING ALUMINUM LUGS

Made of high conductivity wrought aluminum
 Designed to fit specifically with AL-N series to form pair
 Tin plated to provide corrosion resistance
 Connector bores are coated with oxide inhibitor and capped
 Marked with die index and die color



Dual-Rated
 AL9CU
 600 V*

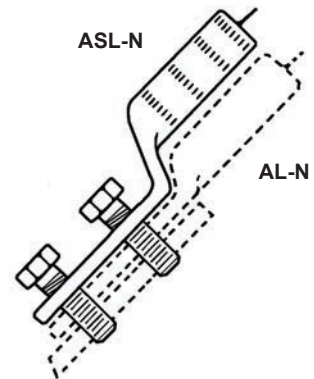
ASL-N SERIES

Two-Hole NEMA

NAED NUMBER	CATALOG NUMBER	WIRE SIZE	BOLT SIZE	U-TYPE DIE		EST. SHIPPING	
				COLOR	INDEX	WEIGHT (lbs)	UNIT
60725	ASL 10 N	1/0	1/2	TAN	296	0.14	EA
60730	ASL 20 N	2/0	1/2	OLIVE	297	0.15	EA
60735	ASL 30 N	3/0	1/2	RUBY	467	0.15	EA
60740	ASL 40 N	4/0	1/2	WHITE	17/298	0.23	EA
60745	ASL 250 N	250	1/2	RED	18/324	0.25	EA
60750	ASL 300 N	300	1/2	BLUE	19/470	0.30	EA
60755	ASL 350 N	350	1/2	BROWN	20/299	0.36	EA
60760	ASL 400 N	400	1/2	GREEN	22/472	0.45	EA
60765	ASL 500 N	500	1/2	PINK	300	0.63	EA
60770	ASL 600 N	600	1/2	BLACK	24/473	0.71	EA
60775	# ASL 750 N	750	1/2	YELLOW	936	0.72	EA

Suffix "N" indicates NEMA tang drilling, 1/4" on centers for 1/2" bolts.

*May be used for applications up to 35KV when proper installation and insulation procedures are employed.
 # All ASL-N lugs have 1.75" maximum width to allow side-by-side NEMA mounting.



CAUTION

ASL-N might not fit competitor lugs.
 Greaves AL-N Series lugs are recommended to make a pair.
 Straight lugs sold separately.



UTILITY TRANSMISSION

ALUMINUM COMPRESSION LUGS

Pure cast aluminum compression lugs for terminating aluminum conductor to flat pad, such as for MC, ACSR aluminum transmission lines.

Pads have standard NEMA bolting patterns for 2-hole (2N), or four-hole (4N, 44N).

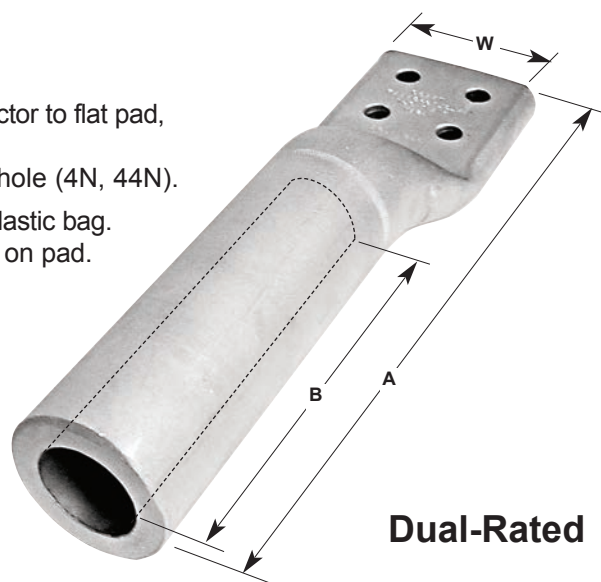
Barrels pre-filled with oxide-inhibitor compound and enclosed in clear plastic bag.

Pad coated with oxide-retardant, and oxide-inhibitor is recommended on pad.

For use with conventional compression tooling.

Uses same dies as equivalent full-tension sleeve or dead-end.

Also available with pad at angle; specify angle with suffix such as -15, -30, -45, -90.



Dual-Rated

ALCL SERIES

NAED NUMBER	CATALOG NUMBER	AAC SIZE AWG OR MCM	ACSR SIZE AWG OR MCM	CONDUCTOR DIAMETER (INCHES)	DIMENSIONS (INCHES)			DIE	EST. SHIPPING	
		MIN. - MAX.	MIN. - MAX.		A	B	W		WEIGHT (lbs)	UNIT
49220	ALCL2A2N	#2	#2	.292 - .325	5 1/4	1 1/2	2	.640	.4	EA
49120	ALCL1/0A2N	1/0	1/0	.355 - .398	5 1/4	1 1/2	2	.840	.5	EA
49140	ALCL1/0A4N			.355 - .398	5 1/4	1 1/2	3	.840	.5	EA
49202	ALCL2/0A2N	2/0	2/0	.414 - .447	6	2	2	.840	.5	EA
49204	ALCL2/0A4N			.414 - .447	6	2	3	.840	.5	EA
49302	ALCL3/0A2N	3/0	3/0	.464 - .502	6	2	2	.840	.5	EA
49304	ALCL3/0A4N			.464 - .502	6	2	3	.840	.5	EA
49402	ALCL4/0A2N	4/0	4/0	.522 - .563	7 1/4	3 1/2	2	.840	.5	EA
49404	ALCL4/0A4N			.522 - .563	7 1/4	3 1/2	3	.840	.5	EA
49262	ALCL226A2N	226.8 - 300	226.8 - 300	.586 - .642	7 1/4	3 1/2	3	1.25	.6	EA
49264	ALCL226A4N			.586 - .642	7 1/4	3 1/2	3	1.25	.6	EA
49364	ALCL336A4N	336.4 (19) - 350 (37)	336.4 (36/1) - 336.4 (18/1)	.666 - .684	7 1/4	3 1/2	3	1.32	1.25	EA
49374	ALCL397A4N	397.5 (19) - 400 (37)	336.4 (26/7) - 397.5 (18/1)	.721 - .743	7 1/4	3 1/2	3	1.32	1.25	EA
49744	ALCL700A44N	700 (61) - 795 (61)	605 (26/7) - 636 (30/19)	.964 - 1.028	12 1/8	6 3/4	4	1.5	1.4	EA
49844	ALCL800A44N	800 (61) - 817.5 (61)	715.5 (54/7) - 715.5 (30/19)	1.031 - 1.081	12 1/8	6 3/4	4	1.843	1.75	EA
49944	ALCL900A44N	900 (37) - 1000 (61)	795 (24/7) - 874.5 (54/7)	1.092 - 1.152	12 1/8	6 3/4	4	1.843	1.75	EA
49134	ALCL1033A44N	1033.5 (37) - 1113 (61)	900 (54/7) - 954 (54/7)	1.162 - 1.216	15	9 1/4	4	2.125	2.5	EA
49124	ALCL1200A44N	1200 (91) - 1272 (61)	1033.5 (54/7) - 1113 (54/19)	1.246 - 1.300	15	9 1/4	4	2.375	2.9	EA
49144	ALCL1400A44N	1400 (91) - 1510.5 (61)	1272 (45/7) - 1351.5 (54/19)	1.345 - 1.424	15	9 1/4	4	2.375	2.9	EA
49154	ALCL1590A4N	1590 (61) - 1700 (127)	1351.5 (54/19) - 1510.5 (54/19)	1.424 - 1.506	15	9 1/4	4	2.375	2.9	EA
49174	ALCL1750A4N	1750 (127)	1510.5 (54/19) - 1590 (54/19)	1.506 - 1.545	14	9 1/4	4	2.375	2.9	EA
49344	ALCL3000A44N	3000 (127)	-	1.996	15	9 1/4	4	2.937	3.75	EA
49354	ALCL3500A44N	3500 (127)	-	2.160	15	9 1/4	4	2.937	3.75	EA

Other sizes available, consult factory.

Most sizes also available in copper.

ALCL connectors are custom made-to-order and are not returnable.

www.greaves-usa.com

Phone 860-664-4505 • Fax 860-664-4546

TOLL FREE 1-800-243-1130 (Outside CT)