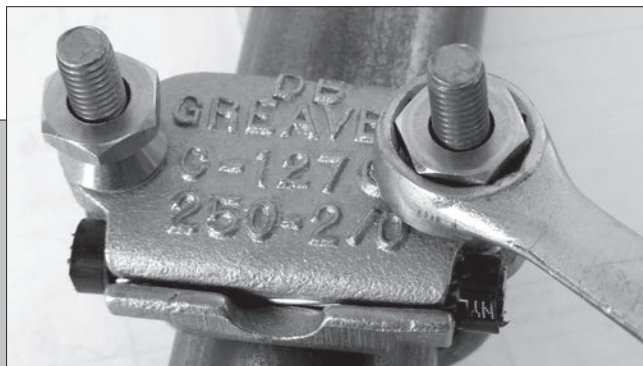




TORK-AWAY

Security Hardware

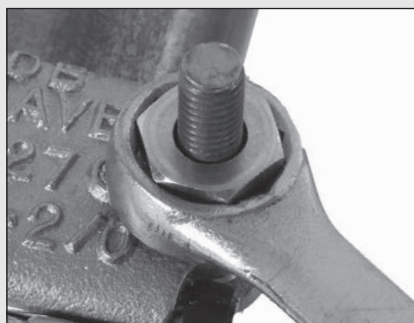


Tork-Away connections are reliable, secure and safe.

When the pre-set torque is applied, the hex portion breaks off. This is visual, inspectible proof that the proper torque has been applied. The result is a smooth conical shape which is virtually impossible to grip with any tool, so the connection is extremely tamper-resistant, vandal-resistant, and safe. Tork-Away security hardware is stainless steel nuts and/or bolts for maximum corrosion resistance.



1. Screw on nut as shown



2. Tighten to shear-off hex



3. Remove hex head

Reliability – Tork-Away assures the proper installation torque, so the integrity of the electrical joint is inspectible and assured.

Security – Tork-Away provides a safe connection which cannot be removed without destroying the hardware... virtually tamper-proof and vandal-proof.

Installability – Tork-Away is installed with common tools... no molds, no flames, no weather limitations.

Inspectability – Tork-Away is easily inspected... when the hex portion is gone, the proper torque has been applied and a reliable, safe connection is assured.

Irreversible – A Tork-Away connection cannot be removed without destruction.

Numerous Greaves products are available with the Tork-Away feature:

- U-bolt clamps – CH, CG (Fig 2)
- Ground rod clamps – G1500
- I-beam clamps – GBC40, GBCL
- Universal Ground Clamps – CX
- Stainless steel hardware for lug mounting
- Fence Ground Clamp – GFGC



HARDWARE DURHAM BOLTS™

NAED NUMBER	CATALOG NUMBER	SIZE		CTN QTY
		DIA.	LGTH. (IN)	
71400	SB 0	1/4 -20	1/2	100
71405	SB 00	1/4 -20	5/8	100
71410	SB 000	1/4 -20	3/4	100
71415	SB 01	1/4 -20	1	100
71420	SB 02	1/4 -20	1 1/4	100
71425	SB 03	1/4 -20	1 1/2	100
71430	SB 05	1/4 -20	2	100
71435	SB 07	1/4 -20	2 1/2	50
71440	SB 09	1/4 -20	3	50
71445	SB 8	5/16 -18	1/2	100
71450	SB 80	5/16 -18	5/8	100
71455	SB 800	5/16 -18	3/4	100
71460	SB 81	5/16 -18	1	50
71465	SB 82	5/16 -18	1 1/4	50
71500	SB 83	5/16 -18	1 1/2	50
71505	SB 84	5/16 -18	1 3/4	50
71510	SB 85	5/16 -18	2	50
71515	SB 87	5/16 -18	2 1/2	50
71520	SB 89	5/16 -18	3	25
71525	SB 6	3/8 -16	1/2	100
71530	SB 60	3/8 -16	5/8	100
71535	SB 600	3/8 -16	3/4	100
71540	SB 61	3/8 -16	1	50
71545	SB 62	3/8 -16	1 1/4	50
71550	SB 63	3/8 -16	1 1/2	50
71555	SB 64	3/8 -16	1 3/4	50
71560	SB 65	3/8 -16	2	50
71565	SB 66	3/8 -16	2 1/4	50
71570	SB 67	3/8 -16	2 1/2	50
71575	SB 68	3/8 -16	2 3/4	50
71580	SB 69	3/8 -16	3	25
71585	SB 610	3/8 -16	3 1/4	25
71590	SB 611	3/8 -16	3 1/2	25
71595	SB 612	3/8 -16	3 3/4	15
71600	SB 613	3/8 -16	4	15
71605	SB 300	1/2 -13	3/4	100
71610	SB 31	1/2 -13	1	50
71615	SB 32	1/2 -13	1 1/4	50
71620	SB 33	1/2 -13	1 1/2	50
71625	SB 34	1/2 -13	1 3/4	50
71630	SB 35	1/2 -13	2	50
71635	SB 36	1/2 -13	2 1/4	50
71640	SB 37	1/2 -13	2 1/2	50
71645	SB 38	1/2 -13	2 3/4	50
71650	SB 39	1/2 -13	3	25
71655	SB 310	1/2 -13	3 1/4	25
71660	SB 311	1/2 -13	3 1/2	25
71665	SB 312	1/2 -13	3 3/4	25
71670	SB 313	1/2 -13	4	15
71675	SB 315	1/2 -13	4 1/2	15
71680	SB 317	1/2 -13	5	15

Silicon Bronze
Hex Head Machine Bolts



PLATING: Above bolts available tin plated.
Add suffix letter "P" to the above Catalog Numbers.
For sizes not listed consult factory for delivery.



HARDWARE DURHAM BOLTS™

NAED NUMBER	cATALoG NUMBER	SIZE		c TN QTy
		DIA.	LGTH. (IN)	
71685	SB 11	5/8 -11	1	25
71690	SB 12	5/8 -11	1¼	25
71700	SB 13	5/8 -11	1½	25
71705	SB 14	5/8 -11	1¾	25
71710	SB 15	5/8 -11	2	25
71715	SB 16	5/8 -11	2¼	25
71720	SB 17	5/8 -11	2½	25
71725	SB 18	5/8 -11	2¾	25
71730	SB 19	5/8 -11	3	15
71735	SB 110	5/8 -11	3¼	15
71740	SB 111	5/8 -11	3½	15

**Silicon Bronze
Hex Head
Machine Bolts
(Cont.)**



NAED NUMBER	cATALoG NUMBER	SIZE (IN)	c TN QTy	EST. SHIPPING	
				WEIGHT (lbs)	UNIT
71780	SFW 0	1/4	100	.40	CTN
71785	SFW 8	5/16	50	.30	CTN
71790	SFW 6	3/8	50	.45	CTN
71795	SFW 3	1/2	50	1.15	CTN
71800	SFW 1	5/8	25	.93	CTN

**Silicon Bronze
Flat Washers**



71810	SLW 0	1/4	100	.30	CTN
71815	SLW 8	5/16	50	.20	CTN
71820	SLW 6	3/8	50	.35	CTN
71825	SLW 3	1/2	50	.75	CTN
71830	SLW 1	5/8	25	.60	CTN

**Silicon Bronze
Split Lock Washers**

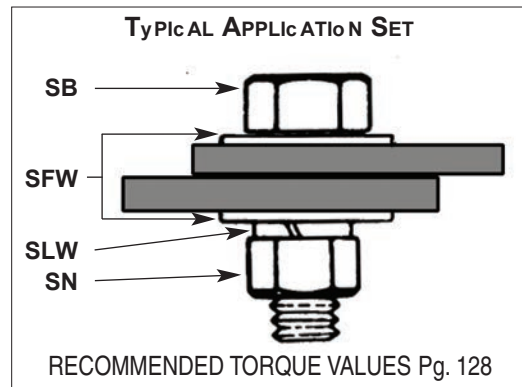


71750	SN 0	1/4 -20	100	.80	CTN
71755	SN 8	5/16 -18	50	.60	CTN
71760	SN 6	3/8 -16	50	.85	CTN
71765	SN 3	1/2 -13	50	2.05	CTN
71770	SN 1	5/8 -11	25	1.95	CTN

**Silicon Bronze
Hex Nuts**



PLATING: Available tin-plated, add suffix "P" to above Catalog Number.
For sizes not listed consult factory.





HARDWARE STAINLESS STEEL

NAED NUMBER	CATALOG NUMBER	SIZE		CTN QTY
		DIA.	LGTH. (IN)	
71851	SS 0	1/4 -20	1/2	100
71852	SS 00	1/4 -20	5/8	100
71853	SS 000	1/4 -20	3/4	100
71854	SS 01	1/4 -20	1	100
71856	SS 02	1/4 -20	1 1/4	100
71857	SS 03	1/4 -20	1 1/2	100
71858	SS 05	1/4 -20	2	100
71859	SS 07	1/4 -20	2 1/2	50
71861	SS 09	1/4 -20	3	50
71862	SS 8	5/16 -18	1/2	100
71863	SS 80	5/16 -18	5/8	100
71864	SS 800	5/16 -18	3/4	100
71866	SS 81	5/16 -18	1	50
71875	SS 82	5/16 -18	1 1/4	50
71876	SS 83	5/16 -18	1 1/2	50
71878	SS 84	5/16 -18	1 3/4	50
71879	SS 85	5/16 -18	2	50
71880	SS 87	5/16 -18	2 1/2	50
71881	SS 89	5/16 -18	3	25
71833	SS 6	3/8 -16	1/2	100
71834	SS 60	3/8 -16	5/8	100
71835	SS 600	3/8 -16	3/4	100
71836	SS 61	3/8 -16	1	50
71837	SS 62	3/8 -16	1 1/4	50
71838	SS 63	3/8 -16	1 1/2	50
71839	SS 64	3/8 -16	1 3/4	50
71840	SS 65	3/8 -16	2	50
71841	SS 66	3/8 -16	2 1/4	50
71842	SS 67	3/8 -16	2 1/2	50
71843	SS 68	3/8 -16	2 3/4	50
71844	SS 69	3/8 -16	3	25
71845	SS 610	3/8 -16	3 1/4	25
71882	SS 611	3/8 -16	3 1/2	25
71883	SS 612	3/8 -16	3 3/4	15
71884	SS 613	3/8 -16	4	15
71846	SS 300	1/2 -13	3/4	100
71847	SS 31	1/2 -13	1	50
71848	SS 32	1/2 -13	1 1/4	50
71849	SS 33	1/2 -13	1 1/2	50
71850	SS 34	1/2 -13	1 3/4	50
71855	SS 35	1/2 -13	2	50
71860	SS 36	1/2 -13	2 1/4	50
71865	SS 37	1/2 -13	2 1/2	50
71867	SS 38	1/2 -13	2 3/4	50
71868	SS 39	1/2 -13	3	25
71869	SS 310	1/2 -13	3 1/4	25
71870	SS 311	1/2 -13	3 1/2	25
71871	SS 312	1/2 -13	3 3/4	25
71872	SS 313	1/2 -13	4	15
71873	SS 315	1/2 -13	4 1/2	15
71874	SS 317	1/2 -13	5	15

Stainless Steel
Hex Head Machine Bolts



For sizes not listed, consult factory for delivery.



HARDWARE STAINLESS STEEL

BELLEVILLE WASHERS

Belleville disk spring washers, made of tempered stainless steel, are used to maintain load or tension in bolted assemblies. High tension is maintained, compensating for differential thermal expansion of dissimilar metals. The bolted tension is distributed over the lug tang for the diameter of the Belleville disk, providing greater contact to the pad.

NAED NUMBER	c ATALo G NUMBER	SIZE	c TN QTY	EST. SHIPPING	
				WEIGHT (lbs)	UNIT
71926	SSBW 6	3/8	50	.25	CTN
71930	SSBW 3	1/2	50	.45	CTN



FLAT WASHERS

NAED NUMBER	c ATALo G NUMBER	SIZE	c TN QTY	EST. SHIPPING	
				WEIGHT (lbs)	UNIT
71901	SSFW 0	1/4	100	.30	CTN
71902	SSFW 8	5/16	50	.20	CTN
71900	SSFW 6	3/8	50	.35	CTN
71905	SSFW 3	1/2	50	.85	CTN



SPLIT Lock WASHERS

71916	SSLW 0	1/4	100	.30	CTN
71917	SSLW 8	5/16	50	.15	CTN
71915	SSLW 6	3/8	50	.30	CTN
71920	SSLW 3	1/2	50	.65	CTN



HEX NUTS

71886	SSN 0	1/4 -20	100	.50	CTN
71887	SSN 8	5/16 -18	50	.35	CTN
71885	SSN 6	3/8 -16	50	.75	CTN
71890	SSN 3	1/2 -13	50	1.80	CTN

