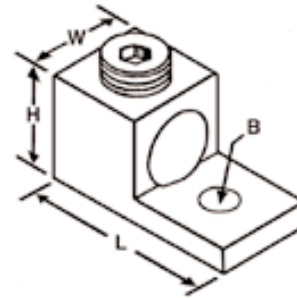




SOLDERLESS LUGS – ALUMINUM

Range-taking mechanical set-screw lugs
 High strength extruded aluminum alloy
 Electro tin plated



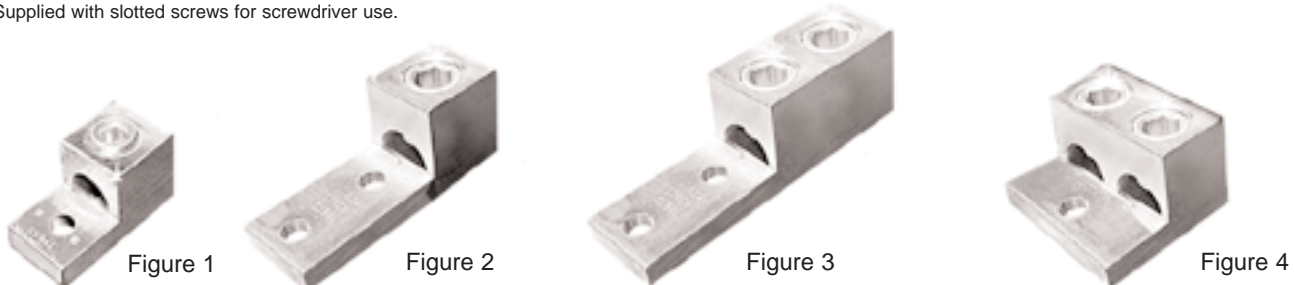
Dual-Rated
 CUAL
 600 V



SAL SERIES

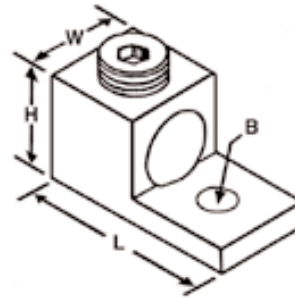
NAED NUMBER	CATALOG NUMBER	WIRE RANGE AL OR CU		DIMENSIONS (IN)			BOLT SIZE B	FIG.	CTN QTY	EST. SHIPPING	
		MAX.	MIN.	L	W	H				WEIGHT (lbs)	UNIT
SINGLE BARREL											
50130	*A-6-14	#4 STR	#14 STR	1 ¹ / ₁₆	1/2	1/2	1/4	1	250	3.31	CTN
50120	*A-2-12	#2 STR	#14 STR	1 ¹ / ₁₆	1/2	9/16	1/4	1	200	3.58	CTN
50100	*A-1/0	1/0 STR	#14 STR	1 ¹ / ₈	5/8	3/4	1/4	1	100	2.72	CTN
50110	*A-2/0	2/0 STR	#14 STR	1 ¹ / ₂	5/8	3/4	1/4	1	50	1.78	CTN
50115	A-3/0	3/0 STR	#6 STR	1 ⁷ / ₈	11/16	7/8	1/4	1	50	3.14	CTN
50140	A-250	250 MCM	#6 STR	2 ¹ / ₈	1	1 ¹ / ₈	5/16	1	25	2.37	CTN
50150	A-300	300 MCM	#6 STR	1 ⁷ / ₈	1	1	5/16	1	20	1.82	CTN
50160	A-350	350 MCM	#6 STR	2 ¹ / ₄	1 ¹ / ₈	1 ¹ / ₄	3/8	1	20	2.80	CTN
50170	A-500	500 MCM	#6 STR	2 ³ / ₄	1 ¹ / ₄	1 ¹ / ₂	3/8	1	10	2.48	CTN
50180	A-600	600 MCM	#2 STR	3 ¹ / ₈	1 ¹ / ₂	1 ⁹ / ₁₆	1/2	1	5	1.14	CTN
50190	A-800	800 MCM	300 MCM	3 ³ / ₈	1 ⁹ / ₁₆	1 ⁷ / ₈	5/8	1	5	2.25	CTN
50200	A-1000	1000 MCM	500 MCM	3 ⁷ / ₈	1 ³ / ₄	1 ⁷ / ₈	5/8	1	5	2.65	CTN
SINGLE BARREL NEMA TANG DRILLING											
71049	A-250N	250 MCM	#6 STR	4	7/8	1 ³ / ₁₆	1/2	2	3	0.44	CTN
71050	A-350N	350 MCM	#6 STR	4 ⁵ / ₁₆	1 ¹ / ₈	1 ³ / ₈	1/2	2	3	0.71	CTN
71055	A-600N	600 MCM	#2 STR	4 ¹ / ₂	1 ³ / ₈	1 ⁵ / ₈	1/2	2	3	1.27	CTN
71060	A-800N	800 MCM	300 MCM	4 ³ / ₄	1 ³ / ₄	1 ³ / ₄	1/2	2	1	0.59	EA
71061	A-1000N	1000 MCM	500 MCM	4 ³ / ₄	1 ³ / ₄	1 ³ / ₄	1/2	2	1	0.55	EA
71056	A-600N-2	600 MCM	2 STR	6 ¹ / ₈	1 ¹ / ₂	1 ⁷ / ₈	1/2	3	1	0.77	EA
71062	A-800N-2	800 MCM	300 MCM	6 ¹ / ₈	1 ¹ / ₂	1 ⁷ / ₈	1/2	3	1	0.93	EA
71063	A-1000N-2	1000 MCM	500 MCM	6 ¹ / ₈	1 ¹¹ / ₁₆	1 ⁷ / ₈	1/2	3	1	0.94	EA
DOUBLE BARREL											
50210	*AA 1/0	1/0 STR	#14 STR	1 ¹ / ₂	1 ¹ / ₈	3/4	1/4	4	50	2.84	CTN
50215	*AA-2/0	2/0 STR	#14 STR	1 ¹ / ₂	1 ¹ / ₈	3/4	1/4	4	25	2.05	CTN
50220	AA-250	250 MCM	#6 STR	2 ¹ / ₂	1 ⁵ / ₈	1 ³ / ₁₆	3/8	4	10	2.00	CTN
50230	AA-350	350 MCM	#6 STR	2 ⁷ / ₈	1 ¹⁵ / ₁₆	1 ¹ / ₄	1/2	4	5	0.95	CTN
50240	AA-600	600 MCM	#2 STR	3 ¹ / ₈	2 ³ / ₁₆	1 ⁹ / ₁₆	1/2	4	4	2.18	CTN
50250	AA-800	800 MCM	300 MCM	3 ³ / ₈	2 ¹⁵ / ₁₆	1 ⁷ / ₈	5/8	4	3	2.65	CTN
50260	AA-1000	1000 MCM	500 MCM	3 ³ / ₈	3 ¹ / ₄	1 ¹⁵ / ₁₆	5/8	4	3	2.83	CTN

Suffix "N" indicates NEMA tang drilling, 1³/₄" on centers for 1/2" bolts.
 * Supplied with slotted screws for screwdriver use.



SOLDERLESS LUGS – ALUMINUM

Range-taking mechanical set-screw lugs
 High strength extruded aluminum alloy
 Electro tin plated



Dual-Rated
 CUAL
 600 V



SAL SERIES

NAED NUMBER	CATALOG NUMBER	WIRE RANGE		DIMENSIONS (IN)			BOLT SIZE B	FIG.	CTN QTY	EST. SHIPPING	
		AL OR CU	MAX.	MIN.	L	W				H	WEIGHT (lbs)
TWO BARREL NEMA TANG DRILLING											
71064	AA-250N	250 MCM	#6 STR	4	1 ¹³ / ₁₆	1 ¹³ / ₁₆	1/2	5	3	1.03	CTN
71065	AA-350N	350 MCM	#6 STR	4 ⁵ / ₁₆	2	1 ³ / ₈	1/2	5	3	1.42	CTN
71070	AA-600N	600 MCM	#2 STR	4 ⁵ / ₈	2 ⁷ / ₁₆	1 ¹ / ₂	1/2	5	3	2.17	CTN
71075	AA-800N	800 MCM	300 MCM	4 ³ / ₄	3 ³ / ₁₆	1 ³ / ₄	1/2	5	1	1.34	EA
12361	AA-1000N	1000 MCM	500 MCM	4 ³ / ₄	3 ³ / ₁₆	1 ³ / ₄	1/2	5	1	1.30	EA
12371	AA-600N-2	600 MCM	#2 STR	5 ⁷ / ₈	2 ⁹ / ₁₆	1 ⁵ / ₈	1/2	5A	3	3.42	CTN
12376	AA-800N-2	800 MCM	350 MCM	6 ¹ / ₈	3 ³ / ₁₆	1 ⁷ / ₈	1/2	5A	1	1.43	EA
THREE BARREL NEMA TANG DRILLING											
12365	AAA-250N	250 MCM	#6 STR	4	2 ¹³ / ₁₆	1 ¹ / ₁₆	1/2	6	3	1.54	CTN
12370	AAA-350N	350 MCM	#6 STR	4 ¹ / ₄	3	1 ³ / ₈	1/2	6	3	1.27	CTN
12372	AAA-600N	600 MCM	#2 STR	4 ¹ / ₂	3 ³ / ₄	1 ⁵ / ₈	1/2	6	1	1.02	EA
12375	AAA-800N	800 MCM	350 MCM	4 ³ / ₄	4 ¹ / ₂	1 ³ / ₄	1/2	6	1	1.58	EA
12380	AAA-1000N	1000 MCM	500 MCM	4 ³ / ₄	4 ¹ / ₂	1 ³ / ₄	1/2	6	1	1.51	EA
12382	AAA-600N-2	600 MCM	#2 STR	5 ⁷ / ₈	3 ³ / ₄	1 ⁵ / ₈	1/2	7	1	1.71	EA
12377	AAA-800N-2	800 MCM	350 MCM	6 ¹ / ₈	4 ³ / ₁₆	1 ⁷ / ₈	1/2	7	1	1.68	EA
12383	AAA-1000N-2	1000 MCM	500 MCM	6 ¹ / ₈	4 ³ / ₄	1 ⁷ / ₈	1/2	7	1	1.66	EA
FOUR BARREL NEMA TANG DRILLING											
12385	AAAA-250N	250 MCM	#6 STR	4	3 ³ / ₄	1 ¹ / ₁₆	1/2	8	3	2.11	CTN
12390	AAAA-350N	350 MCM	#6 STR	4 ⁵ / ₁₆	4	1 ³ / ₈	1/2	8	3	2.65	CTN
12392	AAAA-600N	600 MCM	#2 STR	4 ¹ / ₂	4 ⁷ / ₈	1 ⁵ / ₈	1/2	8	1	1.34	EA
12395	AAAA-800N	800 MCM	350 MCM	4 ³ / ₄	5 ¹⁵ / ₁₆	1 ³ / ₄	1/2	8	1	2.07	EA
12396	AAAA-600N-2	600 MCM	#2 STR	5 ⁷ / ₈	5 ¹ / ₈	1 ⁵ / ₈	1/2	9	1	2.36	EA
12397	AAAA-800N-2	800 MCM	350 MCM	6 ¹ / ₈	5 ¹ / ₂	1 ⁷ / ₈	1/2	9	1	2.56	EA
12398	AAAA-1000N-2	1000 MCM	500 MCM	6 ¹ / ₈	6 ¹ / ₈	1 ⁷ / ₈	1/2	9	1	2.56	EA

Suffix "N" indicates NEMA tang drilling, 1³/₄" on centers for 1/2" bolts.



Figure 5



Figure 6

Fits 2-Hole or 4-Hole
 NEMA Bolt Pattern



Figure 8

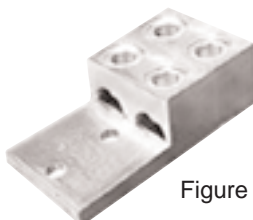


Figure 5A



Figure 7

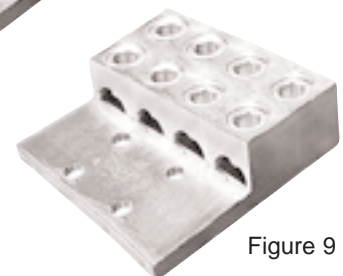


Figure 9



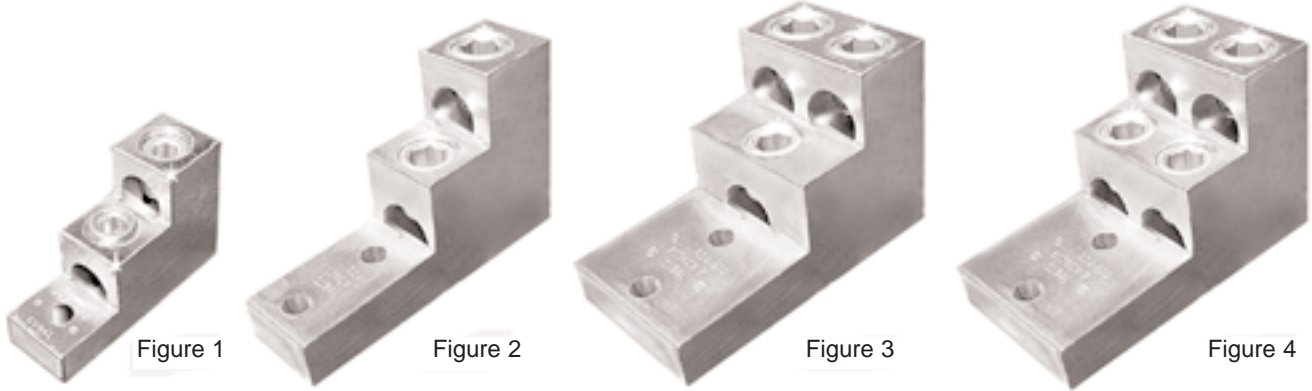
Dual-Rated

600 V
CU9AL



ALUMINUM PANELBOARD LUGS

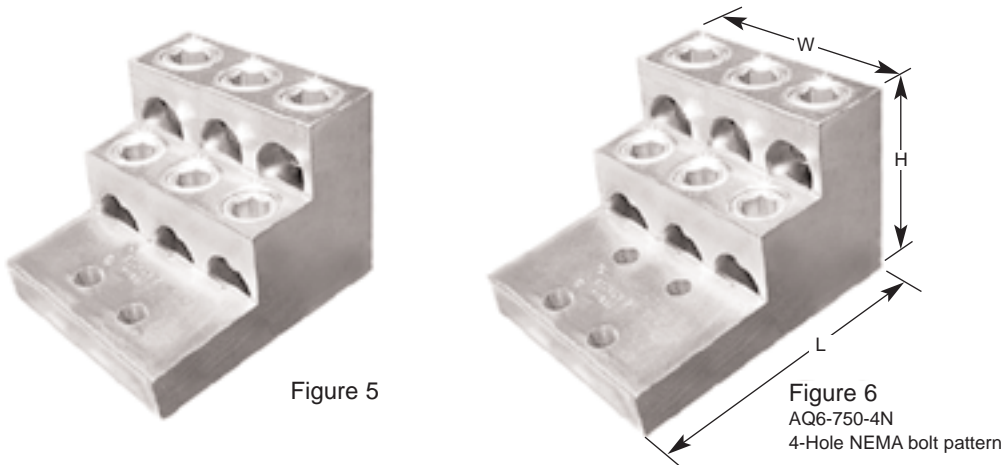
Range-taking mechanical set-screw lugs
High strength extruded aluminum alloy
Electro tin plated



AQ SERIES

NAED NUMBER	CATALOG NUMBER	WIRE RANGE		BOLT		DIMENSIONS (IN)			TEMP. RATING	FIG.	EST. SHIPPING	
		MAX.	MIN.	SIZE	SPACING	L	W	H			WEIGHT (lbs)	UNIT
12400	AQ 2-300	300 MCM	#6 STR	5/16	-	3.00	1.00	2.0	CU9AL	1	0.39	EA
12405	AQ 2-600	600 MCM	#2 STR	3/8	1 3/8	5.06	1.50	3.0	CU7AL	2	1.05	CTN
12410	AQ 2-800	800 MCM	300 MCM	3/8	1 3/8	4.91	1.50	3.0	CU7AL	2	1.02	CTN
12415	AQ 3-600	600 MCM	#2 STR	3/8	1 3/8	5.06	2.47	2.9	CU7AL	3	1.71	CTN
12420	AQ 3-800	800 MCM	300 MCM	3/8	1 3/8	4.91	2.63	3.0	CU7AL	3	1.79	CTN
12425	AQ 4-600	600 MCM	#2 STR	3/8	1 3/8	5.06	2.47	2.9	CU7AL	4	0.96	CTN
12430	AQ 4-800	800 MCM	300 MCM	3/8	1 3/8	4.91	2.63	3.0	CU7AL	4	1.55	CTN
12452	AQ 6-500-2	500 MCM	#2 STR	3/8	1 3/4	4.90	3.75	3.0	CU9AL	5	1.83	CTN
12472	AQ 6-750-2	750 MCM	1/0 STR	3/8	1 3/4	4.90	3.75	3.0	CU9AL	5	1.70	CTN
12474	AQ 6-750-4N	750 MCM	1/0 STR	1/2	1 3/4	5.35	3.75	3.0	CU9AL	6	1.73	CTN

For Stainless Steel bolts, nuts, flat washers, lockwashers, and Belleville washers see HARDWARE pages.

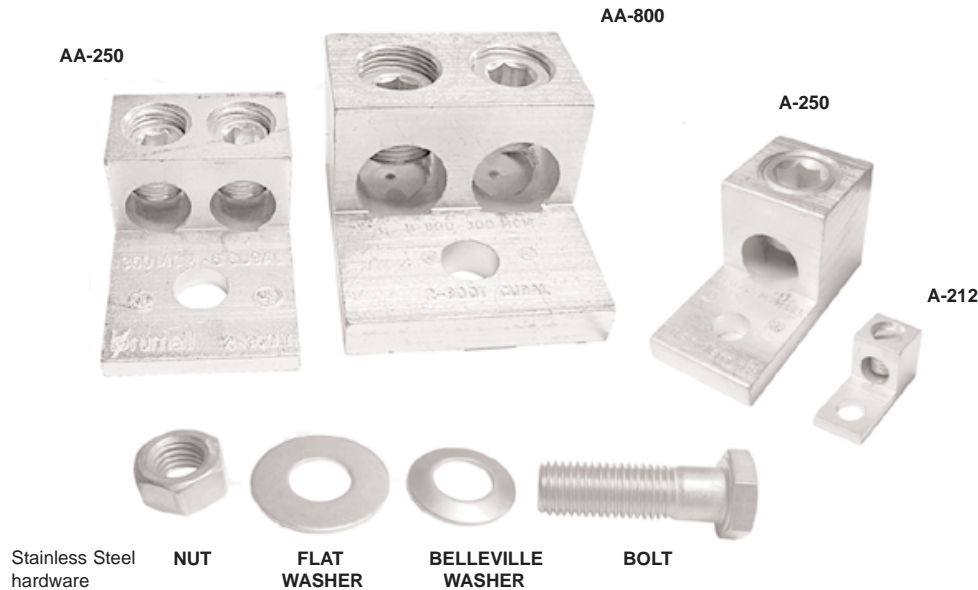




TRANSFORMER LUG KITS

Kits contain lugs and hardware for typical dry-type transformer installations
 Dual-rated lugs are suitable for copper or aluminum wire (ALCU)
 Lugs made of high-strength 6061-T6 aluminum alloy, electro-tin plated
 Lugs are UL listed and CSA certified
 Stainless steel hardware packaged in plastic bags

Dual-Rated
 600V
 90°C



TLK SERIES

NAED NUMBER	CATALOG NUMBER	TRANSFORMER KVA SIZE	ALUM (ALCU) LUGS		ST STEEL HARDWARE (QTY) DESCRIPTION	EST. SHIPPING	
			(QTY) LUG # WIRES/LUG	WIRE RANGE		WEIGHT (lbs)	UNIT
50280	TLK-15	15-37½ 1Ø 15-45 3Ø	(8) #A-212 1 WIRE	#2-14 AWG	(8) 1/4-20X3/4 BOLT (8) 1/4 NUT (16) 1/4 FLAT WASHER	0.75	KIT
			(4) #A-250 1 WIRE	250MCM- #6AWG			
50282	TLK-75	50-75 1Ø 75-112½ 3Ø	(12) #A-250 1 WIRE	250MCM- #6AWG	(8) 1/4-20X3/4 BOLT (8) 1/4-20X2 BOLT (12) 1/4 NUT (24) 1/4 FLAT WASHER	1.9	KIT
50284	TLK-150	100-167 1Ø 150-300 3Ø	(6) #AA-350 2 WIRE	350MCM- #6 AWG	(8) 1/2-13X2 BOLT (8) 1/2-13X2 1/2 BOLT (13) 1/2 NUT (26) 1/2 FLAT WASHER (13) 1/2 BELLEVILLE WASHER	9.9	KIT
			(7) #AA-800 2 WIRE	800- 300MCM			
50286	TLK-500	400-500 3Ø	(15) #AA-800 2 WIRE	800- 300MCM	(7) 1/2-13X2 BOLT (4) 1/2-13X2 1/2 BOLT (11) 1/2-13 NUT (22) 1/2 FLAT WASHER (11) 1/2 BELLEVILLE WASHER	16.0	KIT

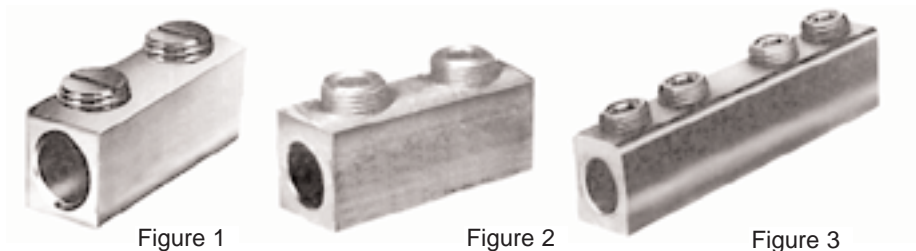
BLZNG or BLOX oxide-inhibitor is recommended for all aluminum terminations.
 For lug dimensions, see appropriate catalog page.
 Other kits available upon request.

ALUMINUM TWO-WAY CONNECTORS

Range-taking mechanical set-screw in-line splices
 High strength aluminum alloy 6061-T6
 Tin-plated for low contact resistance
 Positive center stop



Dual-Rated
 CU9AL
 90°C 600V



ABS SERIES

Splices

NAED NUMBER	CATALOG NUMBER	WIRE RANGE		SCREWS		OVERALL LENGTH	FIG.	CTN QTY	EST. SHIPPING	
		MAX.	MIN.	NO.	TYPE				WEIGHT (lbs)	UNIT
12501	ABS 2	#2	#14	2	SLOT	1 3/8	1	25	0.98	CTN
12502	ABS 10	1/0	#14	2	SLOT	2	1	25	1.38	CTN
12503	ABS 40	4/0	#6	2	5/16 HEX	2	2	25	3.34	CTN
12504	ABS 250	250	#6	4	5/16 HEX	4	3	12	2.92	CTN
12506	ABS 350	350	#6	4	3/8 HEX	4 1/4	3	12	4.60	CTN
12507	ABS 500	500	3/0	4	3/8 HEX	5	3	6	2.86	CTN
12508	ABS 750	750	250	4	3/8 HEX	6 1/4	3	3	2.74	CTN

BEAVER-TOOTH LUGS

Aluminum Lay-in Ground Lugs

High strength aluminum alloy 6061-T6
 Tin-plated for low contact resistance



Dual-Rated
 CU9AL
 90°C 600V



BTL SERIES

Lay-in Lugs

NAED NUMBER	CATALOG NUMBER	WIRE RANGE		BOLT SIZE	DIMENSIONS			CTN QTY	EST. SHIPPING	
		MAX.	MIN.		LENGTH	WIDTH	HEIGHT		WEIGHT (lbs)	UNIT
13800	† BTL 4	#4	#14	3/16	1 1/16	3/8	3/4	100	1.15	CTN
13805	BTL 0	1/0	#8	1/4	1 1/2	9/16	1 1/8	50	3.31	CTN
13810	* BTL 000	3/0	#6	5/16	2	13/16	1 1/2	50	8.27	CTN
13815	* BTL 250	250	#6	5/16	2 3/16	13/16	1 11/16	25	2.25	CTN

*Sizes 3/0 and larger have hex socket screws.
 † For direct burial applications use Cat. No. BTL4-DB.

