

COMPRESSION ACCESSORIES

STACKLUG™ ADAPTERS

Stacking Adapters for Aluminum and Copper Compression Lugs

Tin-plated impacted pure aluminum for good conductivity and corrosion resistance

Two sizes accommodate terminals from 1/0 through 750 MCM

Allows stacking of standard terminals

Keeps costly inventories to a minimum

TSA SERIES

NAED NUMBER	CATALOG NUMBER	BOLT SPACING	H	W	TERMINAL MAX - MIN	CTN QTY	EST. SHIPPING	
							WEIGHT (lbs)	UNIT
14090	TSA-875	1.75	.875	1.0	250 - 1/0	10	1.56	CTN
14091	TSA-1125		1.125	1.38	750 - 1/0	10	3.16	CTN

To stack 4 hole NEMA drilled terminals, use 2 adapters assembled in parallel.

BELLEMORE™ BUSHINGS

Hole-Reducer Mounting Adapters

Material: Tin-plated high copper alloy

Reduces costly lug inventory by making existing inventory more versatile

Makes a secure trouble-free terminal mounting

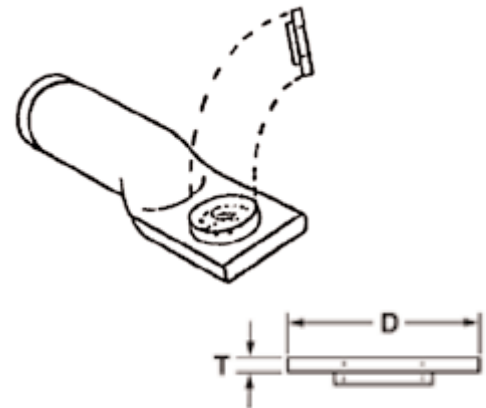
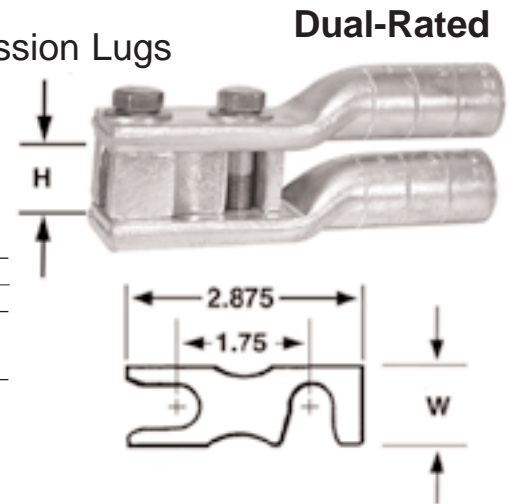
Simple to use: just replace a flat washer with the appropriate bushing

Suitable for use with both copper and aluminum terminals

LP-R SERIES

NAED NUMBER	CATALOG NUMBER	MOUNTING HOLE REDUCTION	DIMENSIONS		CTN QTY	EST. SHIPPING	
			D	T		WEIGHT (lbs)	UNIT
14013	LP 1R3	5/8 to 1/2	1	.080	10	0.19	CTN
14036	LP 3R6	1/2 to 3/8	7/8	.062	25	0.35	CTN
14030	LP 3R0	1/2 to 1/4	7/8	.062	25	0.28	CTN
14068	LP 6R8	3/8 to 5/16	3/4	.062	25	0.20	CTN
14060	LP 6R0	3/8 to 1/4	3/4	.062	25	0.23	CTN
14080	LP 8R0	5/16 to 1/4	11/16	.062	25	0.15	CTN

Specifically designed for use with Greaves compression connectors.



WIRE STRIPPING TOOL

Especially convenient for use with Greaves USA, USAD, and PBS connectors

Replaces knives on the jobsite

Made in USA

For end-stripping 600V secondary cable

Convenient for stripping wire for Greaves USA, USAD, and PBS connectors

For cable jacket diameter range of 0.5 - 1.3 inch (12.7 - 33mm) OD,

THHN #1/0 - 750MCM cable

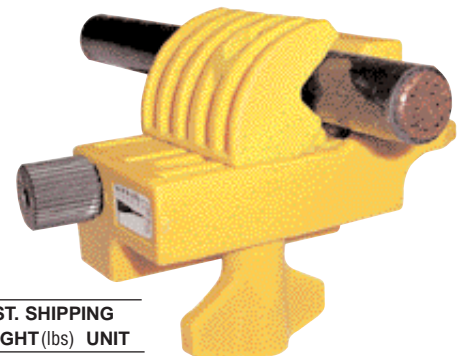
Preset blade positions 45, 60, 80, 95, and 110 mil insulation thickness

Quick release adjustment simplifies sizing on cable

Orange color for easy visibility

WS SERIES

NAED NUMBER	CATALOG NUMBER	DESCRIPTION	WIRE RANGE	INSTALLED BLADE	DIMENSIONS	EST. SHIPPING WEIGHT (lbs)	UNIT
61300	WS71	Stripping Tool	#1/0-750MCM	CB7	5 x 4 x 2 1/2	0.6	EA
61310	WSCB7	Replacement Blade	-	-	-	-	EA





ACCESSORIES

BUG-LUG™

OXIDE-INHIBITOR ELECTRICAL JOINT COMPOUND

Stable over wide temperature range
Assures a high-conductivity joint, seals out air and moisture
Seals out air and moisture from joint to prevent oxidation and corrosion
Suitable for bolted connector applications and aluminum conduit threads
Supple round polyethylene squeeze bottle for easy application, wide mouth for wire dipping
Compact 12-bottle carton (9 inch wide x 6½ inch deep) fits on a small counter or shelf space

BLZNG

Utility Grade

Universal non-petroleum based oxide-inhibitor compound
Contains homogeneously suspended zinc particles
Recommended for all AL/AL, AL/CU and CU/CU joints
Recommended especially for AL/AL and AL/CU compression joints

Metal particles help to break through thin oxide film on aluminum surfaces
Particles aid in gripping the connector and enhance electrical conductivity
Compatible with rubber, polyethylene, and most other insulating materials
Compatible with linesman rubber gloves
Workable from -10°F to 300°F
Service Temperature Range -40°F to 350°F
Will not wash off from exposure to the elements
Grey color

NAED NUMBER	CATALOG NO.	DESCRIPTION	CTN QTY	EST. SHIPPING	
				WEIGHT (lbs)	UNIT
13990	BLZNG-8	8 fl. oz. SQUEEZE BOTTLE	12	13	CTN



BLOX

Commercial Grade

Petroleum based oxide-inhibitor compound
Suitable for all AL/AL, AL/CU, and CU/CU joints
Suitable for copper joints in direct burial
Not recommended with rubber gloves or rubber insulating materials
Compatible with polyethylene and most other insulating materials
Workable from -20°F to 300°F
Service Temperature Range -40°F to 300°F
Amber color

NAED NUMBER	CATALOG NO.	DESCRIPTION	CTN QTY	EST. SHIPPING	
				WEIGHT (lbs)	UNIT
13980	BLOX-8	8 fl. oz. SQUEEZE BOTTLE	12	8	CTN
13982	BLOX-1G	1 Gallon CAN	1	9	EA

