

HARDWARE DURHAM BOLTS™

NAED NUMBER	CATALOG NUMBER	SIZE		CTN QTY
		DIA.	LGTH. (IN)	
71685	SB 11	5/8 -11	1	25
71690	SB 12	5/8 -11	1 1/4	25
71700	SB 13	5/8 -11	1 1/2	25
71705	SB 14	5/8 -11	1 3/4	25
71710	SB 15	5/8 -11	2	25
71715	SB 16	5/8 -11	2 1/4	25
71720	SB 17	5/8 -11	2 1/2	25
71725	SB 18	5/8 -11	2 3/4	25
71730	SB 19	5/8 -11	3	15
71735	SB 110	5/8 -11	3 1/4	15
71740	SB 111	5/8 -11	3 1/2	15

**Silicon Bronze
Hex Head
Machine Bolts
(Cont.)**



NAED NUMBER	CATALOG NUMBER	SIZE (IN)	CTN QTY	EST. SHIPPING	
				WEIGHT (lbs)	UNIT
71780	SFW 0	1/4	100	.40	CTN
71785	SFW 8	5/16	50	.30	CTN
71790	SFW 6	3/8	50	.45	CTN
71795	SFW 3	1/2	50	1.15	CTN
71800	SFW 1	5/8	25	.93	CTN

**Silicon Bronze
Flat Washers**



71810	SLW 0	1/4	100	.30	CTN
71815	SLW 8	5/16	50	.20	CTN
71820	SLW 6	3/8	50	.35	CTN
71825	SLW 3	1/2	50	.75	CTN
71830	SLW 1	5/8	25	.60	CTN

**Silicon Bronze
Split Lock Washers**

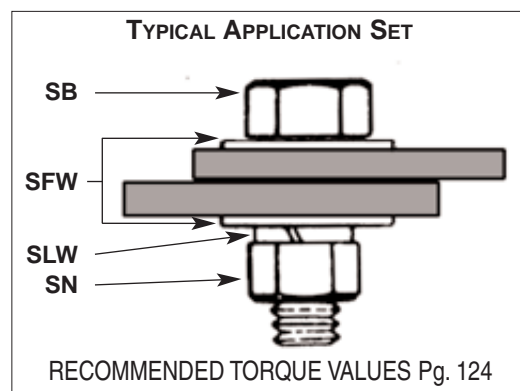


71750	SN 0	1/4 -20	100	.80	CTN
71755	SN 8	5/16 -18	50	.60	CTN
71760	SN 6	3/8 -16	50	.85	CTN
71765	SN 3	1/2 -13	50	2.05	CTN
71770	SN 1	5/8 -11	25	1.95	CTN

**Silicon Bronze
Hex Nuts**



PLATING: Available tin-plated, add suffix P to above catalog number.
For sizes not listed consult factory.





GREAVES

HARDWARE STAINLESS STEEL

NAED NUMBER	CATALOG NUMBER	SIZE		CTN QTY
		DIA.	LGTH. (IN)	
71851	SS 0	1/4 -20	1/2	100
71852	SS 00	1/4 -20	5/8	100
71853	SS 000	1/4 -20	3/4	100
71854	SS 01	1/4 -20	1	100
71856	SS 02	1/4 -20	1 1/4	100
71857	SS 03	1/4 -20	1 1/2	100
71858	SS 05	1/4 -20	2	100
71859	SS 07	1/4 -20	2 1/2	50
71861	SS 09	1/4 -20	3	50
71862	SS 8	5/16 -18	1/2	100
71863	SS 80	5/16 -18	5/8	100
71864	SS 800	5/16 -18	3/4	100
71866	SS 81	5/16 -18	1	50
71875	SS 82	5/16 -18	1 1/4	50
71876	SS 83	5/16 -18	1 1/2	50
71878	SS 84	5/16 -18	1 3/4	50
71879	SS 85	5/16 -18	2	50
71880	SS 87	5/16 -18	2 1/2	50
71881	SS 89	5/16 -18	3	25
71833	SS 6	3/8 -16	1/2	100
71834	SS 60	3/8 -16	5/8	100
71835	SS 600	3/8 -16	3/4	100
71836	SS 61	3/8 -16	1	50
71837	SS 62	3/8 -16	1 1/4	50
71838	SS 63	3/8 -16	1 1/2	50
71839	SS 64	3/8 -16	1 3/4	50
71840	SS 65	3/8 -16	2	50
71841	SS 66	3/8 -16	2 1/4	50
71842	SS 67	3/8 -16	2 1/2	50
71843	SS 68	3/8 -16	2 3/4	50
71844	SS 69	3/8 -16	3	25
71845	SS 610	3/8 -16	3 1/4	25
71882	SS 611	3/8 -16	3 1/2	25
71883	SS 612	3/8 -16	3 3/4	15
71884	SS 613	3/8 -16	4	15
71846	SS 300	1/2 -13	3/4	100
71847	SS 31	1/2 -13	1	50
71848	SS 32	1/2 -13	1 1/4	50
71849	SS 33	1/2 -13	1 1/2	50
71850	SS 34	1/2 -13	1 3/4	50
71855	SS 35	1/2 -13	2	50
71860	SS 36	1/2 -13	2 1/4	50
71865	SS 37	1/2 -13	2 1/2	50
71867	SS 38	1/2 -13	2 3/4	50
71868	SS 39	1/2 -13	3	25
71869	SS 310	1/2 -13	3 1/4	25
71870	SS 311	1/2 -13	3 1/2	25
71871	SS 312	1/2 -13	3 3/4	25
71872	SS 313	1/2 -13	4	15
71873	SS 315	1/2 -13	4 1/2	15
71874	SS 317	1/2 -13	5	15

Stainless Steel
Hex Head Machine Bolts



For sizes not listed consult factory for delivery.

HARDWARE STAINLESS STEEL

BELLEVILLE WASHERS

Belleville disk spring washers, made of tempered stainless steel, are used to maintain load or tension in bolted assemblies. High tension is maintained, compensating for differential thermal expansion of dissimilar metals. The bolted tension is distributed over the lug tang for the diameter of the Belleville disk, providing greater contact to the pad.

NAED NUMBER	CATALOG NUMBER	SIZE	CTN QTY	EST. SHIPPING	
				WEIGHT (lbs)	UNIT
71926	SSBW 6	3/8	50	.25	CTN
71930	SSBW 3	1/2	50	.45	CTN



FLAT WASHERS

NAED NUMBER	CATALOG NUMBER	SIZE	CTN QTY	EST. SHIPPING	
				WEIGHT (lbs)	UNIT
71901	SSFW 0	1/4	100	.30	CTN
71902	SSFW 8	5/16	50	.20	CTN
71900	SSFW 6	3/8	50	.35	CTN
71905	SSFW 3	1/2	50	.85	CTN



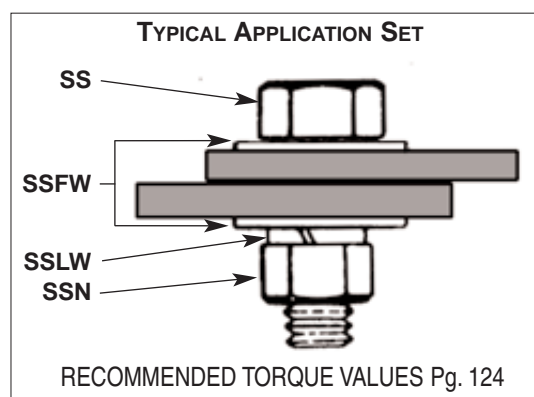
SPLIT LOCK WASHERS

71916	SSLW 0	1/4	100	.30	CTN
71917	SSLW 8	5/16	50	.15	CTN
71915	SSLW 6	3/8	50	.30	CTN
71920	SSLW 3	1/2	50	.65	CTN



HEX NUTS

71886	SSN 0	1/4 -20	100	.50	CTN
71887	SSN 8	5/16 -18	50	.35	CTN
71885	SSN 6	3/8 -16	50	.75	CTN
71890	SSN 3	1/2 -13	50	1.80	CTN

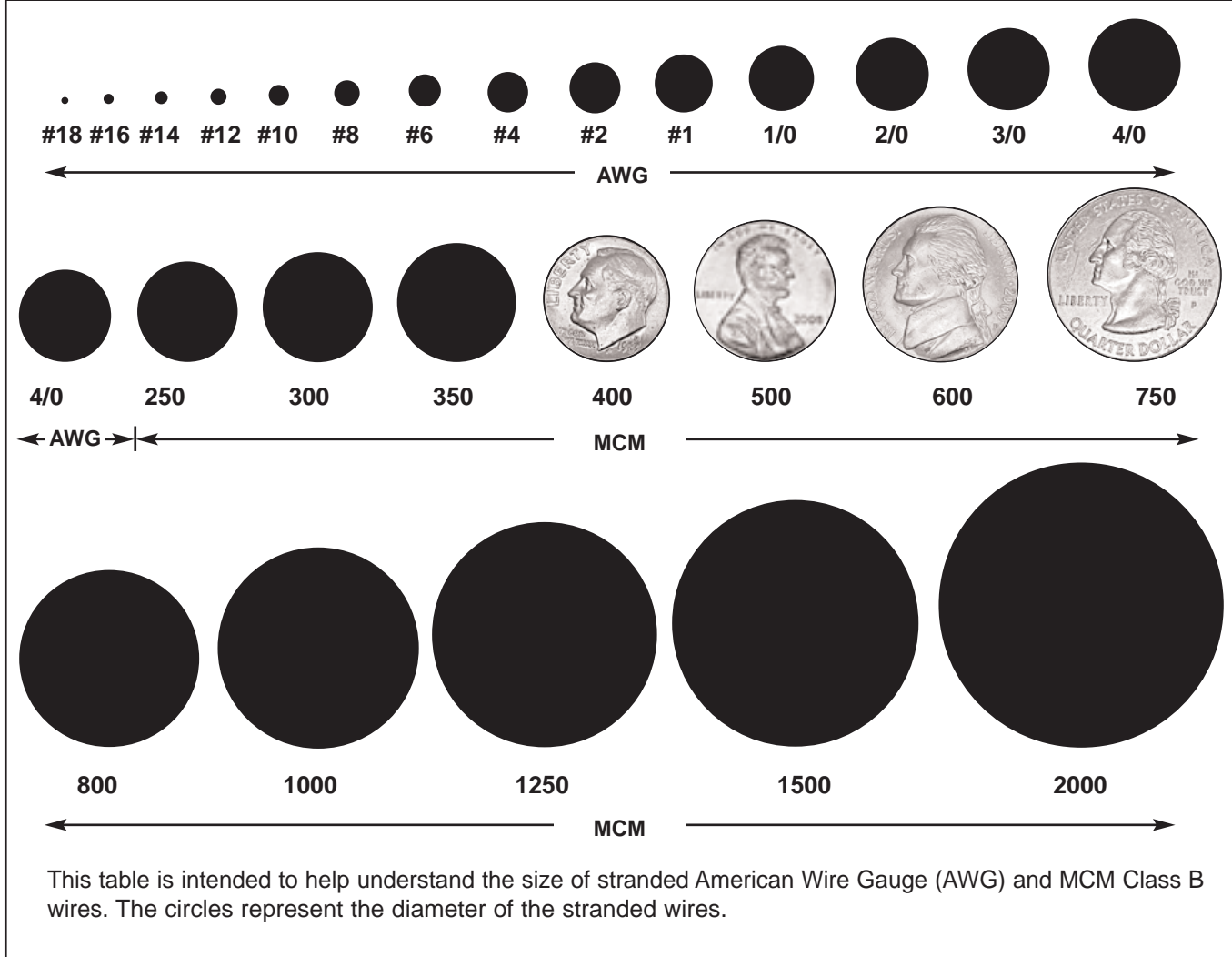




NEMA RECOMMENDED BOLT TORQUE VALUES FOR BOLTED POWER CONNECTORS

BOLT DIAMETER (IN)	NOMINAL TORQUE VALUES (IN - LBS)		
	SILICON BRONZE	STEEL	ALUMINUM
5/16 - 18	180	180	—
3/8 - 16	240	240	168
7/16 - 14	360	360	230
1/2 - 13	480	480	300
5/8 - 11	660	660	480
3/4 - 10	840	840	—

NOMINAL CLASS B STRANDED WIRE DIAMETERS



This table is intended to help understand the size of stranded American Wire Gauge (AWG) and MCM Class B wires. The circles represent the diameter of the stranded wires.