



COMPRESSION ACCESSORIES

STACKLUG™ ADAPTERS

Stacking Adapters for Aluminum and Copper Compression Lugs

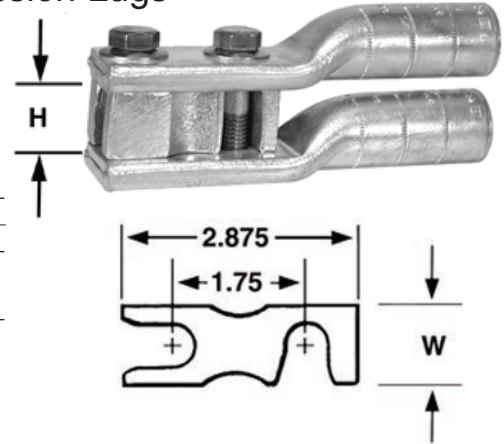
Tin-plated impacted pure aluminum for good conductivity and corrosion resistance

Two sizes accommodate terminals from 1/0 through 750 MCM

Allows stacking of standard terminals

Keeps costly inventories to a minimum

Dual-Rated



TSA SERIES

NAED NUMBER	CATALOG NUMBER	BOLT SPACING	H	W	TERMINAL MAX - MIN	CTN QTY	EST. SHIPPING	
							WEIGHT (lbs)	UNIT
14090	TSA-875	1.75	.875	1.0	250 - 1/0	10	1.56	CTN
14091	TSA-1125		1.125	1.38	750 - 1/0	10	3.16	CTN

To stack 4 hole NEMA drilled terminals, use 2 adapters assembled in parallel.

BELLEMORE™ BUSHINGS

Hole-Reducer Mounting Adapters

Material: Tin-plated high copper alloy

Reduces costly lug inventory by making existing inventory more versatile

Makes a secure trouble-free terminal mounting

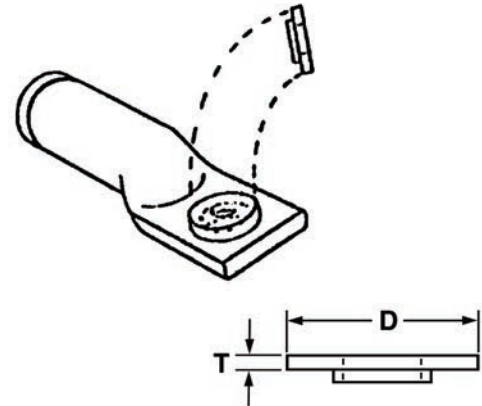
Simple to use: just replace a flat washer with the appropriate bushing

Suitable for use with both copper and aluminum terminals

LP-R SERIES

NAED NUMBER	CATALOG NUMBER	MOUNTING HOLE REDUCTION	DIMENSIONS		CTN QTY	EST. SHIPPING	
			D	T		WEIGHT (lbs)	UNIT
14013	LP 1R3	5/8 to 1/2	1	.080	10	0.19	CTN
14036	LP 3R6	1/2 to 3/8	7/8	.062	25	0.35	CTN
14030	LP 3R0	1/2 to 1/4	7/8	.062	25	0.28	CTN
14068	LP 6R8	3/8 to 5/16	3/4	.062	25	0.20	CTN
14060	LP 6R0	3/8 to 1/4	3/4	.062	25	0.23	CTN
14080	LP 8R0	5/16 to 1/4	11/16	.062	25	0.15	CTN

Specifically designed for use with Greaves compression connectors.



WIRE STRIPPING TOOL

Especially convenient for use with Greaves USA, USAD, and PBS connectors

Replaces knives on the jobsite

Made in USA

For end-stripping 600V secondary cable

Convenient for stripping wire for Greaves USA, USAD, and PBS connectors

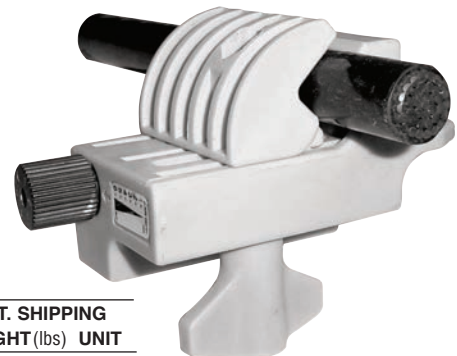
For cable jacket diameter range of 0.5 - 1.3 inch (12.7 - 33mm) OD,

THHN #1/0 - 750MCM cable

Preset blade positions 45, 60, 80, 95, and 110 mil insulation thickness

Quick release adjustment simplifies sizing on cable

Yellow color for easy visibility



WS SERIES

NAED NUMBER	CATALOG NUMBER	DESCRIPTION	WIRE RANGE	INSTALLED BLADE	DIMENSIONS	EST. SHIPPING	
						WEIGHT (lbs)	UNIT
61300	WS71	Stripping Tool	#1/0-750MCM	CB7	5 x 4 x 2 1/2	0.6	EA



ACCESSORIES

BUG-LUG™

OXIDE-INHIBITOR ELECTRICAL JOINT COMPOUND

Stable over wide temperature range
 Assures a high-conductivity joint, seals out air and moisture
 Seals out air and moisture from joint to prevent oxidation and corrosion
 Suitable for bolted connector applications and aluminum conduit threads
 Supple round polyethylene squeeze bottle for easy application, wide mouth for wire dipping
 Compact 12-bottle carton (9 inch wide x 6½ inch deep) fits on a small counter or shelf space

BLZNG

Utility Grade

Universal non-petroleum based oxide-inhibitor compound
 Contains homogeneously suspended zinc particles
 Recommended for all AL/AL, AL/CU and CU/CU joints
 Recommended especially for AL/AL and AL/CU compression joints

Metal particles help to break through thin oxide film on aluminum surfaces
 Particles aid in gripping the connector and enhance electrical conductivity
 Compatible with rubber, polyethylene, and most other insulating materials
 Compatible with linesman rubber gloves
 Workable from -10°F to 300°F
 Service Temperature Range -40°F to 350°F
 Will not wash off from exposure to the elements
 Grey color

NAED NUMBER	CATALOG NO.	DESCRIPTION	CTN QTY	EST. SHIPPING WEIGHT (lbs) UNIT	
				13	CTN
13990	BLZNG-8	8 fl. oz. SQUEEZE BOTTLE	12	13	CTN



BLOX

Commercial Grade

Petroleum based oxide-inhibitor compound
 Suitable for all AL/AL, AL/CU, and CU/CU joints
 Suitable for copper joints in direct burial
 Not recommended with rubber gloves or rubber insulating materials
 Compatible with polyethylene and most other insulating materials
 Workable from -20°F to 300°F
 Service Temperature Range -40°F to 300°F
 Amber color

NAED NUMBER	CATALOG NO.	DESCRIPTION	CTN QTY	EST. SHIPPING WEIGHT (lbs) UNIT	
				8	EA
13980	BLOX-8	8 fl. oz. SQUEEZE BOTTLE	12	8	CTN
13982	BLOX-1G	1 Gallon CAN	1	9	EA





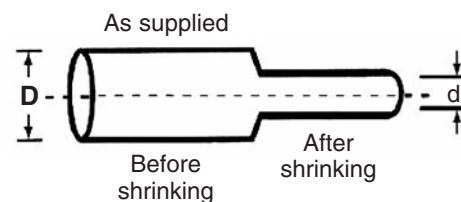
UNDERGROUND

HEAT SHRINK TUBING HEAVY WALL with ADHESIVE

1000V
110°C

Black cross-linked heavy-wall heat-shrink tubing
 Use to insulate electrical cable splices in utility/industrial applications
 Use on compression splices (C, SC, SC-FX Series) and adapters (CRK, ND-R Series)
 Also use to insulate barrels of compression lugs
 Use for insulation of primary low voltage cables
 Withstands severe mechanical and sealing requirements
 of URD, submersible, and direct burial installations
 Provides strain relief and mechanical protection
 Resists impact and abrasion
 Supplied as expanded tube
 Shrink ratio 3:1, wide range of available diameters
 Shrink temperature: 120°C
 Thermoplastic hot-melt adhesive lining seals to cable jackets
 when heated
 Continuous operating temperature rating: -55°C to 110°C

Meets UL 486D, CSA C22.2 No. 198.2, ANSI C119.1,
 Western Underground Guide Numbers 2.4 and 2.5,
 ICEA and NEMA insulation thickness requirements.



HWA SERIES

NAED NUMBER	CATALOG NUMBER	NOMINAL SIZE	WIRE SIZE		INSIDE DIA		LENGTH PIECE (IN)	PKG QTY	EST. SHIPPING	
			MAX	MIN	D	d			WEIGHT (lbs)	UNIT
41850	HWA50-6	1/2	#6	#8	.51	.16	6	8	.3	CTN
41875		3/4	#2	#6	.75	.24	6	6	.4	CTN
41810	HWA75-6	1	3/0	#1	1.1	.35	9	4	.6	CTN
41815	HWA100-9	1½	350	2/0	1.5	.47	9	3	.63	CTN
41820	HWA150-9	2	500	250	2.0	.63	9	3	1.0	CTN
41827	HWA200-9	2¾	1000	600	2.7	.87	12	1	.5	EA

Lengths provide 2-inch seal on both cable jackets when using long barrel compression splice.
 Other lengths and sizes available.

INSTALLATION

1. Place the tube over one of the cable-ends before splicing.
2. Install the electrical splice.
3. Center the tube over the splice so a minimum of 2 inches of tubing will seal to each cable jacket.
4. With a soft-flame torch, begin at the center and heat slowly around the radius, moving progressively to each end. When heated to shrink temperature, the tubing shrinks and conforms to the splice, and the adhesive melts and seals to the splice and cable jackets. Heat so adhesive forms a bead around each end.
 Do not overheat, which can scorch and damage the tubing.