



## COMPRESSION ACCESSORIES

### STACKLUG™ ADAPTERS

#### Stacking Adapters for Aluminum and Copper Compression Lugs

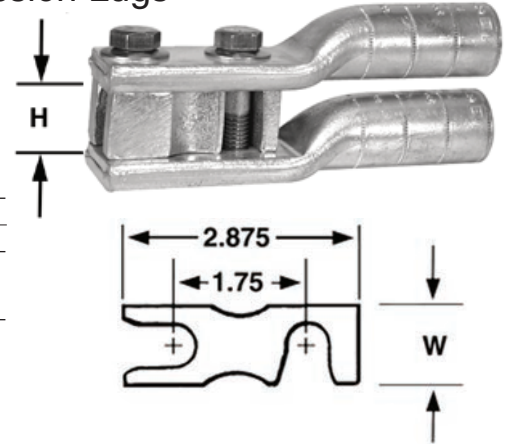
Tin-plated impacted pure aluminum for good conductivity and corrosion resistance

Two sizes accommodate terminals from 1/0 through 750 MCM

Allows stacking of standard terminals

Keeps costly inventories to a minimum

Dual-Rated



### TSA SERIES

NAED NUMBER	CATALOG NUMBER	BOLT SPACING	H	W	TERMINAL MAX - MIN	CTN QTY	EST. SHIPPING	
							WEIGHT (lbs)	UNIT
14090	TSA-875	1.75	.875	1.0	250 - 1/0	10	1.56	CTN
14091	TSA-1125		1.125	1.38	750 - 1/0	10	3.16	CTN

To stack 4 hole NEMA drilled terminals, use 2 adapters assembled in parallel.

### BELLEMORE™ BUSHINGS

#### Hole-Reducer Mounting Adapters

Material: Tin-plated high copper alloy

Reduces costly lug inventory by making existing inventory more versatile

Makes a secure trouble-free terminal mounting

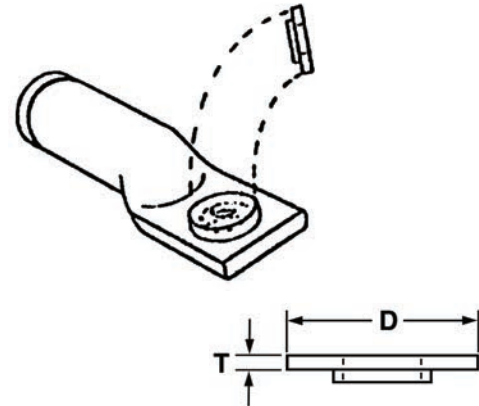
Simple to use: just replace a flat washer with the appropriate bushing

Suitable for use with both copper and aluminum terminals

### LP-R SERIES

NAED NUMBER	CATALOG NUMBER	MOUNTING HOLE REDUCTION	DIMENSIONS		CTN QTY	EST. SHIPPING	
			D	T		WEIGHT (lbs)	UNIT
14013	LP 1R3	5/8 to 1/2	1	.080	10	0.19	CTN
14036	LP 3R6	1/2 to 3/8	7/8	.062	25	0.35	CTN
14030	LP 3R0	1/2 to 1/4	7/8	.062	25	0.28	CTN
14068	LP 6R8	3/8 to 5/16	3/4	.062	25	0.20	CTN
14060	LP 6R0	3/8 to 1/4	3/4	.062	25	0.23	CTN
14080	LP 8R0	5/16 to 1/4	11/16	.062	25	0.15	CTN

Specifically designed for use with Greaves compression connectors.



## WIRE STRIPPING TOOL

#### Especially convenient for use with Greaves USA, USAD, and PBS connectors

#### Replaces knives on the jobsite

Made in USA

For end-stripping 600V secondary cable

Convenient for stripping wire for Greaves USA, USAD, and PBS connectors

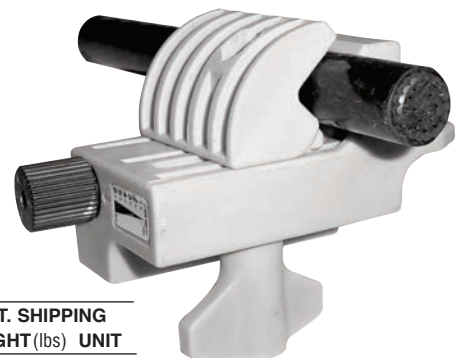
For cable jacket diameter range of 0.5 - 1.3 inch (12.7 - 33mm) OD,

THHN #1/0 - 750MCM cable

Preset blade positions 45, 60, 80, 95, and 110 mil insulation thickness

Quick release adjustment simplifies sizing on cable

Yellow color for easy visibility



### WS SERIES

NAED NUMBER	CATALOG NUMBER	DESCRIPTION	WIRE RANGE	INSTALLED BLADE	DIMENSIONS	EST. SHIPPING	
						WEIGHT (lbs)	UNIT
61300	WS71	Stripping Tool	#1/0-750MCM	CB7	5 x 4 x 2 1/2	0.6	EA