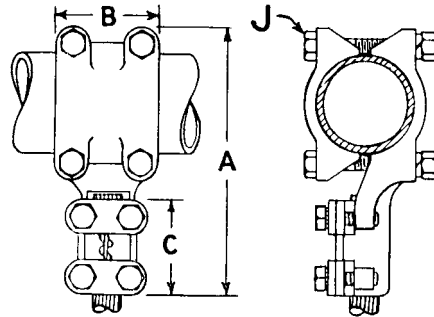


## TJJT SERIES

### Tee connector, tube to cable



Tap			BRONZE CONNECTORS				DUAL-RATED ALUMINUM CONNECTORS					
Cable Range		Run IPS	Catalog Number	Dimension in Inches (Approximate)				Catalog Number	Dimension in Inches (Approximate)			
Max.	Min.			A	B	C	K		A	B	C	K
#1	#4	1/2	T0JJ2T	4 <sup>11</sup> / <sub>16</sub>	2 <sup>1</sup> / <sub>4</sub>	1 <sup>11</sup> / <sub>16</sub>	5 <sup>1</sup> / <sub>16</sub>	ALT0JJ2T	4 <sup>11</sup> / <sub>16</sub>	2 <sup>1</sup> / <sub>4</sub>	1 <sup>11</sup> / <sub>16</sub>	5 <sup>1</sup> / <sub>16</sub>
2/0	1/0	1/2	T0JJ3T	5 <sup>1</sup> / <sub>8</sub>	2 <sup>1</sup> / <sub>4</sub>	2 <sup>1</sup> / <sub>8</sub>	5 <sup>1</sup> / <sub>16</sub>	ALT0JJ4T	5 <sup>7</sup> / <sub>16</sub>	2 <sup>1</sup> / <sub>4</sub>	2 <sup>7</sup> / <sub>16</sub>	5 <sup>1</sup> / <sub>16</sub>
4/0	2/0	1/2	T0JJ4T	5 <sup>7</sup> / <sub>16</sub>	2 <sup>1</sup> / <sub>4</sub>	2 <sup>7</sup> / <sub>16</sub>	5 <sup>1</sup> / <sub>16</sub>					
350	4/0	1/2	T0JJ5T	5 <sup>3</sup> / <sub>4</sub>	2 <sup>1</sup> / <sub>4</sub>	2 <sup>3</sup> / <sub>4</sub>	3 <sup>3</sup> / <sub>8</sub>					
#1	#4	3/4	T1JJ2T	4 <sup>13</sup> / <sub>16</sub>	2 <sup>3</sup> / <sub>8</sub>	1 <sup>11</sup> / <sub>16</sub>	5 <sup>1</sup> / <sub>16</sub>	ALT1JJ2T	4 <sup>13</sup> / <sub>16</sub>	2 <sup>3</sup> / <sub>8</sub>	1 <sup>11</sup> / <sub>16</sub>	5 <sup>1</sup> / <sub>16</sub>
2/0	1/0	3/4	T1JJ3T	5 <sup>1</sup> / <sub>4</sub>	2 <sup>3</sup> / <sub>8</sub>	2 <sup>1</sup> / <sub>8</sub>	5 <sup>1</sup> / <sub>16</sub>	ALT1JJ4T	5 <sup>3</sup> / <sub>16</sub>	2 <sup>3</sup> / <sub>8</sub>	2 <sup>7</sup> / <sub>16</sub>	5 <sup>1</sup> / <sub>16</sub>
4/0	2/0	3/4	T1JJ4T	5 <sup>3</sup> / <sub>16</sub>	2 <sup>3</sup> / <sub>8</sub>	2 <sup>7</sup> / <sub>16</sub>	5 <sup>1</sup> / <sub>16</sub>					
350	4/0	3/4	T1JJ5T	5 <sup>7</sup> / <sub>8</sub>	2 <sup>3</sup> / <sub>8</sub>	2 <sup>3</sup> / <sub>4</sub>	3 <sup>3</sup> / <sub>8</sub>					
500	350	3/4	T1JJ6T	6 <sup>3</sup> / <sub>8</sub>	2 <sup>3</sup> / <sub>8</sub>	3 <sup>1</sup> / <sub>4</sub>	3 <sup>3</sup> / <sub>8</sub>	ALT1JJ6T	6 <sup>3</sup> / <sub>8</sub>	2 <sup>3</sup> / <sub>8</sub>	3 <sup>1</sup> / <sub>4</sub>	3 <sup>3</sup> / <sub>8</sub>
750	500	3/4	T1JJ7T	6 <sup>7</sup> / <sub>8</sub>	2 <sup>3</sup> / <sub>8</sub>	3 <sup>3</sup> / <sub>4</sub>	7 <sup>1</sup> / <sub>16</sub>	ALT1JJ7T	6 <sup>7</sup> / <sub>8</sub>	2 <sup>3</sup> / <sub>8</sub>	3 <sup>3</sup> / <sub>4</sub>	7 <sup>1</sup> / <sub>16</sub>
2/0	1/0	1	T2JJ3T	5 <sup>9</sup> / <sub>16</sub>	2 <sup>1</sup> / <sub>2</sub>	2 <sup>1</sup> / <sub>8</sub>	5 <sup>1</sup> / <sub>16</sub>	ALT2JJ4T	5 <sup>7</sup> / <sub>8</sub>	2 <sup>1</sup> / <sub>2</sub>	2 <sup>7</sup> / <sub>16</sub>	5 <sup>1</sup> / <sub>16</sub>
4/0	2/0	1	T2JJ4T	5 <sup>7</sup> / <sub>8</sub>	2 <sup>1</sup> / <sub>2</sub>	2 <sup>7</sup> / <sub>16</sub>	5 <sup>1</sup> / <sub>16</sub>					
350	4/0	1	T2JJ5T	6 <sup>3</sup> / <sub>16</sub>	2 <sup>1</sup> / <sub>2</sub>	2 <sup>3</sup> / <sub>4</sub>	3 <sup>3</sup> / <sub>8</sub>					
500	350	1	T2JJ6T	6 <sup>1</sup> / <sub>16</sub>	2 <sup>1</sup> / <sub>2</sub>	3 <sup>1</sup> / <sub>4</sub>	3 <sup>3</sup> / <sub>8</sub>	ALT2JJ6T	6 <sup>1</sup> / <sub>16</sub>	2 <sup>1</sup> / <sub>2</sub>	3 <sup>1</sup> / <sub>4</sub>	3 <sup>3</sup> / <sub>8</sub>
750	500	1	T2JJ7T	7 <sup>3</sup> / <sub>16</sub>	2 <sup>1</sup> / <sub>2</sub>	3 <sup>3</sup> / <sub>4</sub>	7 <sup>1</sup> / <sub>16</sub>	ALT2JJ7T	7 <sup>3</sup> / <sub>16</sub>	2 <sup>1</sup> / <sub>2</sub>	3 <sup>3</sup> / <sub>4</sub>	7 <sup>1</sup> / <sub>16</sub>
1000	750	1	T2JJ8T	7 <sup>7</sup> / <sub>8</sub>	2 <sup>1</sup> / <sub>2</sub>	4 <sup>7</sup> / <sub>16</sub>	1 <sup>1</sup> / <sub>2</sub>	ALT2JJ8T	7 <sup>7</sup> / <sub>8</sub>	2 <sup>1</sup> / <sub>2</sub>	4 <sup>7</sup> / <sub>16</sub>	1 <sup>1</sup> / <sub>2</sub>
4/0	2/0	1 1/4	T3JJ4T	6 <sup>1</sup> / <sub>4</sub>	2 <sup>5</sup> / <sub>8</sub>	2 <sup>7</sup> / <sub>16</sub>	5 <sup>1</sup> / <sub>16</sub>	ALT3JJ4T	6 <sup>1</sup> / <sub>4</sub>	2 <sup>5</sup> / <sub>8</sub>	2 <sup>7</sup> / <sub>16</sub>	5 <sup>1</sup> / <sub>16</sub>
350	4/0	1 1/4	T3JJ5T	6 <sup>3</sup> / <sub>8</sub>	2 <sup>5</sup> / <sub>8</sub>	2 <sup>3</sup> / <sub>4</sub>	3 <sup>3</sup> / <sub>8</sub>	ALT3JJ5T	6 <sup>3</sup> / <sub>8</sub>	2 <sup>5</sup> / <sub>8</sub>	2 <sup>3</sup> / <sub>4</sub>	3 <sup>3</sup> / <sub>8</sub>
500	350	1 1/4	T3JJ6T	7 <sup>1</sup> / <sub>16</sub>	2 <sup>5</sup> / <sub>8</sub>	3 <sup>1</sup> / <sub>4</sub>	3 <sup>3</sup> / <sub>8</sub>	ALT3JJ6T	7 <sup>1</sup> / <sub>16</sub>	2 <sup>5</sup> / <sub>8</sub>	3 <sup>1</sup> / <sub>4</sub>	3 <sup>3</sup> / <sub>8</sub>
750	500	1 1/4	T3JJ7T	7 <sup>3</sup> / <sub>16</sub>	2 <sup>5</sup> / <sub>8</sub>	3 <sup>3</sup> / <sub>4</sub>	7 <sup>1</sup> / <sub>16</sub>	ALT3JJ7T	7 <sup>3</sup> / <sub>16</sub>	2 <sup>5</sup> / <sub>8</sub>	3 <sup>3</sup> / <sub>4</sub>	7 <sup>1</sup> / <sub>16</sub>
1000	750	1 1/4	T3JJ8T	8 <sup>1</sup> / <sub>4</sub>	2 <sup>5</sup> / <sub>8</sub>	4 <sup>7</sup> / <sub>16</sub>	1 <sup>1</sup> / <sub>2</sub>	ALT3JJ8T	8 <sup>1</sup> / <sub>4</sub>	2 <sup>5</sup> / <sub>8</sub>	4 <sup>7</sup> / <sub>16</sub>	1 <sup>1</sup> / <sub>2</sub>
2/0	2/0	1 1/2	T4JJ4T	6 <sup>7</sup> / <sub>16</sub>	2 <sup>3</sup> / <sub>4</sub>	2 <sup>7</sup> / <sub>16</sub>	1 <sup>1</sup> / <sub>2</sub>	ALT4JJ4T	6 <sup>7</sup> / <sub>16</sub>	2 <sup>3</sup> / <sub>4</sub>	2 <sup>7</sup> / <sub>16</sub>	1 <sup>1</sup> / <sub>2</sub>
350	4/0	1 1/2	T4JJ5T	6 <sup>3</sup> / <sub>4</sub>	2 <sup>3</sup> / <sub>4</sub>	2 <sup>3</sup> / <sub>4</sub>	3 <sup>3</sup> / <sub>8</sub>	ALT4JJ5T	6 <sup>3</sup> / <sub>4</sub>	2 <sup>3</sup> / <sub>4</sub>	2 <sup>3</sup> / <sub>4</sub>	3 <sup>3</sup> / <sub>8</sub>
500	350	1 1/2	T4JJ6T	7 <sup>1</sup> / <sub>4</sub>	2 <sup>3</sup> / <sub>4</sub>	3 <sup>1</sup> / <sub>4</sub>	3 <sup>3</sup> / <sub>8</sub>	ALT4JJ6T	7 <sup>1</sup> / <sub>4</sub>	2 <sup>3</sup> / <sub>4</sub>	3 <sup>1</sup> / <sub>4</sub>	3 <sup>3</sup> / <sub>8</sub>
750	500	1 1/2	T4JJ7T	7 <sup>3</sup> / <sub>4</sub>	2 <sup>3</sup> / <sub>4</sub>	3 <sup>3</sup> / <sub>4</sub>	7 <sup>1</sup> / <sub>16</sub>	ALT4JJ7T	7 <sup>3</sup> / <sub>4</sub>	2 <sup>3</sup> / <sub>4</sub>	3 <sup>3</sup> / <sub>4</sub>	7 <sup>1</sup> / <sub>16</sub>
1000	750	1 1/2	T4JJ8T	8 <sup>7</sup> / <sub>16</sub>	2 <sup>3</sup> / <sub>4</sub>	4 <sup>7</sup> / <sub>16</sub>	1 <sup>1</sup> / <sub>2</sub>	ALT4JJ8T	8 <sup>7</sup> / <sub>16</sub>	2 <sup>3</sup> / <sub>4</sub>	4 <sup>7</sup> / <sub>16</sub>	1 <sup>1</sup> / <sub>2</sub>
4/0	2/0	2	T5JJ4T	7 <sup>1</sup> / <sub>16</sub>	2 <sup>7</sup> / <sub>8</sub>	2 <sup>7</sup> / <sub>16</sub>	5 <sup>1</sup> / <sub>16</sub>	ALT5JJ4T	7 <sup>1</sup> / <sub>16</sub>	2 <sup>7</sup> / <sub>8</sub>	2 <sup>7</sup> / <sub>16</sub>	5 <sup>1</sup> / <sub>16</sub>
350	4/0	2	T5JJ5T	7 <sup>3</sup> / <sub>8</sub>	2 <sup>7</sup> / <sub>8</sub>	2 <sup>3</sup> / <sub>4</sub>	3 <sup>3</sup> / <sub>8</sub>	ALT5JJ5T	7 <sup>3</sup> / <sub>8</sub>	2 <sup>7</sup> / <sub>8</sub>	2 <sup>3</sup> / <sub>4</sub>	3 <sup>3</sup> / <sub>8</sub>
500	350	2	T5JJ6T	7 <sup>7</sup> / <sub>8</sub>	2 <sup>7</sup> / <sub>8</sub>	3 <sup>1</sup> / <sub>4</sub>	3 <sup>3</sup> / <sub>8</sub>	ALT5JJ6T	7 <sup>7</sup> / <sub>8</sub>	2 <sup>7</sup> / <sub>8</sub>	3 <sup>1</sup> / <sub>4</sub>	3 <sup>3</sup> / <sub>8</sub>
750	500	2	T5JJ7T	8 <sup>3</sup> / <sub>8</sub>	2 <sup>7</sup> / <sub>8</sub>	3 <sup>3</sup> / <sub>4</sub>	7 <sup>1</sup> / <sub>16</sub>	ALT5JJ7T	8 <sup>3</sup> / <sub>8</sub>	2 <sup>7</sup> / <sub>8</sub>	3 <sup>3</sup> / <sub>4</sub>	7 <sup>1</sup> / <sub>16</sub>
1000	750	2	T5JJ8T	9 <sup>1</sup> / <sub>16</sub>	2 <sup>7</sup> / <sub>8</sub>	4 <sup>7</sup> / <sub>16</sub>	1 <sup>1</sup> / <sub>2</sub>	ALT5JJ8T	9 <sup>1</sup> / <sub>16</sub>	2 <sup>7</sup> / <sub>8</sub>	4 <sup>7</sup> / <sub>16</sub>	1 <sup>1</sup> / <sub>2</sub>
4/0	2/0	2 1/2	T6JJ4T	7 <sup>9</sup> / <sub>16</sub>	3	2 <sup>7</sup> / <sub>16</sub>	5 <sup>1</sup> / <sub>16</sub>	ALT6JJ4T	7 <sup>9</sup> / <sub>16</sub>	3	2 <sup>7</sup> / <sub>16</sub>	5 <sup>1</sup> / <sub>16</sub>
350	4/0	2 1/2	T6JJ5T	7 <sup>7</sup> / <sub>8</sub>	3	2 <sup>3</sup> / <sub>4</sub>	3 <sup>3</sup> / <sub>8</sub>	ALT6JJ5T	7 <sup>7</sup> / <sub>8</sub>	3	2 <sup>3</sup> / <sub>4</sub>	3 <sup>3</sup> / <sub>8</sub>
500	350	2 1/2	T6JJ6T	8 <sup>3</sup> / <sub>8</sub>	3	3 <sup>1</sup> / <sub>4</sub>	3 <sup>3</sup> / <sub>8</sub>	ALT6JJ6T	8 <sup>3</sup> / <sub>8</sub>	3	3 <sup>1</sup> / <sub>4</sub>	3 <sup>3</sup> / <sub>8</sub>
750	500	2 1/2	T6JJ7T	8 <sup>7</sup> / <sub>8</sub>	3	3 <sup>3</sup> / <sub>4</sub>	7 <sup>1</sup> / <sub>16</sub>	ALT6JJ7T	8 <sup>7</sup> / <sub>8</sub>	3	3 <sup>3</sup> / <sub>4</sub>	7 <sup>1</sup> / <sub>16</sub>
1000	750	2 1/2	T6JJ8T	9 <sup>3</sup> / <sub>16</sub>	3	4 <sup>7</sup> / <sub>16</sub>	1 <sup>1</sup> / <sub>2</sub>	ALT6JJ8T	9 <sup>3</sup> / <sub>16</sub>	3	4 <sup>7</sup> / <sub>16</sub>	1 <sup>1</sup> / <sub>2</sub>
4/0	2/0	3	T7JJ4T	7 <sup>13</sup> / <sub>16</sub>	3	2 <sup>7</sup> / <sub>16</sub>	5 <sup>1</sup> / <sub>16</sub>	ALT7JJ4T	7 <sup>13</sup> / <sub>16</sub>	3	2 <sup>7</sup> / <sub>16</sub>	5 <sup>1</sup> / <sub>16</sub>
350	4/0	3	T7JJ5T	8 <sup>1</sup> / <sub>8</sub>	3	2 <sup>3</sup> / <sub>4</sub>	3 <sup>3</sup> / <sub>8</sub>	ALT7JJ5T	8 <sup>1</sup> / <sub>8</sub>	3	2 <sup>3</sup> / <sub>4</sub>	3 <sup>3</sup> / <sub>8</sub>
500	350	3	T7JJ6T	8 <sup>3</sup> / <sub>8</sub>	3	3 <sup>1</sup> / <sub>4</sub>	3 <sup>3</sup> / <sub>8</sub>	ALT7JJ6T	8 <sup>3</sup> / <sub>8</sub>	3	3 <sup>1</sup> / <sub>4</sub>	3 <sup>3</sup> / <sub>8</sub>
750	500	3	T7JJ7T	9 <sup>1</sup> / <sub>8</sub>	3	3 <sup>3</sup> / <sub>4</sub>	7 <sup>1</sup> / <sub>16</sub>	ALT7JJ7T	9 <sup>1</sup> / <sub>8</sub>	3	3 <sup>3</sup> / <sub>4</sub>	7 <sup>1</sup> / <sub>16</sub>
1000	750	3	T7JJ8T	9 <sup>3</sup> / <sub>16</sub>	3	4 <sup>7</sup> / <sub>16</sub>	1 <sup>1</sup> / <sub>2</sub>	ALT7JJ8T	9 <sup>3</sup> / <sub>16</sub>	3	4 <sup>7</sup> / <sub>16</sub>	1 <sup>1</sup> / <sub>2</sub>



J = 1/2"



## TPT SERIES

Tee connector, tube to cable

		BRONZE CONNECTORS					DUAL-RATED ALUMINUM CONNECTORS				
Run IPS	Tap Cable Range		Catalog Number	Dimension in Inches (Approx.)			Catalog Number	Dimension in Inches (Approximate)			
	Max.	Min.		A	B	C		A	B	C	
1/2	2/0	4	T0P2T	5 <sup>7</sup> / <sub>16</sub>	2 <sup>1</sup> / <sub>4</sub>	2 <sup>7</sup> / <sub>16</sub>	ALT0P2T	5 <sup>7</sup> / <sub>16</sub>	2 <sup>1</sup> / <sub>4</sub>	2 <sup>7</sup> / <sub>16</sub>	
1/2	350	2/0	T0P4T	5 <sup>13</sup> / <sub>16</sub>	2 <sup>1</sup> / <sub>4</sub>	2 <sup>13</sup> / <sub>16</sub>	ALT0P4T	5 <sup>13</sup> / <sub>16</sub>	2 <sup>1</sup> / <sub>4</sub>	2 <sup>13</sup> / <sub>16</sub>	
3/4	2/0	4	T1P2T	5 <sup>9</sup> / <sub>16</sub>	2 <sup>3</sup> / <sub>8</sub>	2 <sup>7</sup> / <sub>16</sub>	ALT1P2T	5 <sup>9</sup> / <sub>16</sub>	2 <sup>3</sup> / <sub>8</sub>	2 <sup>7</sup> / <sub>16</sub>	
3/4	350	2/0	T1P4T	5 <sup>15</sup> / <sub>16</sub>	2 <sup>3</sup> / <sub>8</sub>	2 <sup>13</sup> / <sub>16</sub>	ALT1P4T	5 <sup>15</sup> / <sub>16</sub>	2 <sup>3</sup> / <sub>8</sub>	2 <sup>13</sup> / <sub>16</sub>	
3/4	600	350	T1P5T	5 <sup>15</sup> / <sub>16</sub>	2 <sup>3</sup> / <sub>8</sub>	2 <sup>13</sup> / <sub>16</sub>	ALT1P5T	5 <sup>15</sup> / <sub>16</sub>	2 <sup>3</sup> / <sub>8</sub>	2 <sup>13</sup> / <sub>16</sub>	
1	2/0	4	T2P2T	5 <sup>5</sup> / <sub>8</sub>	2 <sup>1</sup> / <sub>2</sub>	2 <sup>7</sup> / <sub>16</sub>	ALT2P2T	5 <sup>5</sup> / <sub>8</sub>	2 <sup>1</sup> / <sub>2</sub>	2 <sup>7</sup> / <sub>16</sub>	
1	350	2/0	T2P4T	6 <sup>1</sup> / <sub>4</sub>	2 <sup>1</sup> / <sub>2</sub>	2 <sup>13</sup> / <sub>16</sub>	ALT2P4T	6 <sup>1</sup> / <sub>4</sub>	2 <sup>1</sup> / <sub>2</sub>	2 <sup>13</sup> / <sub>16</sub>	
1	600	350	T2P5T	6 <sup>1</sup> / <sub>4</sub>	2 <sup>1</sup> / <sub>2</sub>	2 <sup>13</sup> / <sub>16</sub>	ALT2P5T	6 <sup>1</sup> / <sub>4</sub>	2 <sup>1</sup> / <sub>2</sub>	2 <sup>13</sup> / <sub>16</sub>	
1 <sup>1</sup> / <sub>4</sub>	350	2/0	T3P4T	6 <sup>5</sup> / <sub>8</sub>	2 <sup>5</sup> / <sub>8</sub>	2 <sup>13</sup> / <sub>16</sub>	ALT3P4T	6 <sup>5</sup> / <sub>8</sub>	2 <sup>5</sup> / <sub>8</sub>	2 <sup>13</sup> / <sub>16</sub>	
1 <sup>1</sup> / <sub>4</sub>	600	350	T3P5T	6 <sup>5</sup> / <sub>8</sub>	2 <sup>5</sup> / <sub>8</sub>	2 <sup>13</sup> / <sub>16</sub>	ALT3P5T	6 <sup>5</sup> / <sub>8</sub>	2 <sup>5</sup> / <sub>8</sub>	2 <sup>13</sup> / <sub>16</sub>	
1 <sup>1</sup> / <sub>4</sub>	1000	600	T3P6T	6 <sup>13</sup> / <sub>16</sub>	2 <sup>5</sup> / <sub>8</sub>	3	ALT3P6T	6 <sup>13</sup> / <sub>16</sub>	2 <sup>5</sup> / <sub>8</sub>	3	
1 <sup>1</sup> / <sub>2</sub>	350	2/0	T4P4T	6 <sup>13</sup> / <sub>16</sub>	2 <sup>3</sup> / <sub>4</sub>	2 <sup>13</sup> / <sub>16</sub>	ALT4P4T	6 <sup>13</sup> / <sub>16</sub>	2 <sup>3</sup> / <sub>4</sub>	2 <sup>13</sup> / <sub>16</sub>	
1 <sup>1</sup> / <sub>2</sub>	600	350	T4P5T	6 <sup>13</sup> / <sub>16</sub>	2 <sup>3</sup> / <sub>4</sub>	2 <sup>13</sup> / <sub>16</sub>	ALT4P5T	6 <sup>13</sup> / <sub>16</sub>	2 <sup>3</sup> / <sub>4</sub>	2 <sup>13</sup> / <sub>16</sub>	
1 <sup>1</sup> / <sub>2</sub>	1000	600	T4P6T	7	2 <sup>3</sup> / <sub>4</sub>	3	ALT4P6T	7	2 <sup>3</sup> / <sub>4</sub>	3	
2	350	2/0	T5P4T	7 <sup>5</sup> / <sub>16</sub>	2 <sup>7</sup> / <sub>8</sub>	2 <sup>13</sup> / <sub>16</sub>	ALT5P4T	7 <sup>5</sup> / <sub>16</sub>	2 <sup>7</sup> / <sub>8</sub>	2 <sup>13</sup> / <sub>16</sub>	
2	600	350	T5P5T	7 <sup>5</sup> / <sub>16</sub>	2 <sup>7</sup> / <sub>8</sub>	2 <sup>13</sup> / <sub>16</sub>	ALT5P5T	7 <sup>5</sup> / <sub>16</sub>	2 <sup>7</sup> / <sub>8</sub>	2 <sup>13</sup> / <sub>16</sub>	
2	1000	600	T5P6T	7 <sup>1</sup> / <sub>2</sub>	2 <sup>7</sup> / <sub>8</sub>	3	ALT5P6T	7 <sup>1</sup> / <sub>2</sub>	2 <sup>7</sup> / <sub>8</sub>	3	
2 <sup>1</sup> / <sub>2</sub>	350	2/0	T6P4T	7 <sup>13</sup> / <sub>16</sub>	3	2 <sup>13</sup> / <sub>16</sub>	ALT6P4T	7 <sup>13</sup> / <sub>16</sub>	3	2 <sup>13</sup> / <sub>16</sub>	
2 <sup>1</sup> / <sub>2</sub>	600	350	T6P5T	7 <sup>13</sup> / <sub>16</sub>	3	2 <sup>13</sup> / <sub>16</sub>	ALT6P5T	7 <sup>13</sup> / <sub>16</sub>	3	2 <sup>13</sup> / <sub>16</sub>	
2 <sup>1</sup> / <sub>2</sub>	1000	600	T6P6T	8	3	3	ALT6P6T	8	3	3	
2 <sup>1</sup> / <sub>2</sub>	1500	1000	T6P7T	8 <sup>3</sup> / <sub>16</sub>	3	3 <sup>3</sup> / <sub>16</sub>	ALT6P7T	8 <sup>3</sup> / <sub>16</sub>	3	3 <sup>3</sup> / <sub>16</sub>	
2 <sup>1</sup> / <sub>2</sub>	2000	1500	T6P8T	8 <sup>3</sup> / <sub>16</sub>	3	2 <sup>13</sup> / <sub>16</sub>	ALT6P8T	8 <sup>3</sup> / <sub>16</sub>	3	2 <sup>13</sup> / <sub>16</sub>	
3	350	2/0	T7P4T	8 <sup>3</sup> / <sub>16</sub>	3	2 <sup>13</sup> / <sub>16</sub>	ALT7P4T	8 <sup>3</sup> / <sub>16</sub>	3	2 <sup>13</sup> / <sub>16</sub>	
3	600	350	T7P5T	8 <sup>3</sup> / <sub>16</sub>	3	2 <sup>13</sup> / <sub>16</sub>	ALT7P5T	8 <sup>3</sup> / <sub>16</sub>	3	2 <sup>13</sup> / <sub>16</sub>	
3	1000	600	T7P6T	8 <sup>3</sup> / <sub>16</sub>	3	3	ALT7P6T	8 <sup>3</sup> / <sub>16</sub>	3	3	
3	1500	1000	T7P7T	8 <sup>3</sup> / <sub>16</sub>	3	3 <sup>3</sup> / <sub>16</sub>	ALT7P7T	8 <sup>3</sup> / <sub>16</sub>	3	3 <sup>3</sup> / <sub>16</sub>	
3	2000	1500	T7P8T	8 <sup>3</sup> / <sub>16</sub>	3	3 <sup>3</sup> / <sub>16</sub>	ALT7P8T	8 <sup>3</sup> / <sub>16</sub>	3	3 <sup>3</sup> / <sub>16</sub>	
3 <sup>1</sup> / <sub>2</sub>	600	350	T8P5T	8 <sup>11</sup> / <sub>16</sub>	3 <sup>1</sup> / <sub>4</sub>	2 <sup>13</sup> / <sub>16</sub>	ALT8P5T	8 <sup>11</sup> / <sub>16</sub>	3 <sup>1</sup> / <sub>4</sub>	2 <sup>13</sup> / <sub>16</sub>	
3 <sup>1</sup> / <sub>2</sub>	1000	600	T8P6T	8 <sup>7</sup> / <sub>8</sub>	3 <sup>1</sup> / <sub>4</sub>	3	ALT8P6T	8 <sup>7</sup> / <sub>8</sub>	3 <sup>1</sup> / <sub>4</sub>	3	
3 <sup>1</sup> / <sub>2</sub>	1500	1000	T8P7T	9 <sup>1</sup> / <sub>16</sub>	3 <sup>1</sup> / <sub>4</sub>	3 <sup>3</sup> / <sub>16</sub>	ALT8P7T	9 <sup>1</sup> / <sub>16</sub>	3 <sup>1</sup> / <sub>4</sub>	3 <sup>3</sup> / <sub>16</sub>	
3 <sup>1</sup> / <sub>2</sub>	2000	1500	T8P8T	9 <sup>1</sup> / <sub>16</sub>	3 <sup>1</sup> / <sub>4</sub>	3 <sup>3</sup> / <sub>16</sub>	ALT8P8T	9 <sup>1</sup> / <sub>16</sub>	3 <sup>1</sup> / <sub>4</sub>	3 <sup>3</sup> / <sub>16</sub>	
4	600	350	T9P5T	9 <sup>9</sup> / <sub>16</sub>	3 <sup>1</sup> / <sub>2</sub>	2 <sup>13</sup> / <sub>16</sub>	ALT9P5T	9 <sup>9</sup> / <sub>16</sub>	3 <sup>1</sup> / <sub>2</sub>	2 <sup>13</sup> / <sub>16</sub>	
4	1000	600	T9P6T	9 <sup>5</sup> / <sub>8</sub>	3 <sup>1</sup> / <sub>2</sub>	3	ALT9P6T	9 <sup>5</sup> / <sub>8</sub>	3 <sup>1</sup> / <sub>2</sub>	3	
4	1500	1000	T9P7T	9 <sup>9</sup> / <sub>16</sub>	3 <sup>1</sup> / <sub>2</sub>	3 <sup>3</sup> / <sub>16</sub>	ALT9P7T	9 <sup>9</sup> / <sub>16</sub>	3 <sup>1</sup> / <sub>2</sub>	3 <sup>3</sup> / <sub>16</sub>	
4	2000	1500	T9P8T	9 <sup>5</sup> / <sub>8</sub>	3 <sup>1</sup> / <sub>2</sub>	3 <sup>3</sup> / <sub>16</sub>	ALT9P8T	9 <sup>5</sup> / <sub>8</sub>	3 <sup>1</sup> / <sub>2</sub>	3 <sup>3</sup> / <sub>16</sub>	